

## SX10/20/30 TRAVELLING IRRIGATORS

# Hot Dip GALVANISED

### **Applications**

- **TURF WATERING**—  
*Playing Fields, Parks and Gardens, Lawn Cemeteries, Golf Courses, Race Courses.*
- **AGRICULTURE**—  
*Small Crops, Nurseries, Turf Farms.*
- **DUST CONTROL** —  
*Mining and Building Sites*



### **Features**

- **Self-Propelled**
- **Auto Stop**
- **Heavy Duty Design**
- **Integral Hose Reel (SX20/30)**
- **Adjustable Speed**
- **Power to Handle all Conditions**
- **Positive Drive via Winch Cable & Anchor**
- **Hot Dip Galvanised**
- **Easy to Operate**



### MODEL

### SPECIFICATIONS

#### SX-10



**IRRIGATOR MODEL:** SX-10.

**SPRINKLER:** Nelson F43V Gunmetal Impact.

**HOSE:** 55 metres X 25mm (1 inch).

**FLOW RATE:** 0.46 to 1.2 litres per second.

**OPERATING PRESSURE RANGE:** 275 to 345 kPa.

**TRAVEL DISTANCE PER RUN:** 110 metres.

**WETTED WIDTH:** 28 to 36 metres.

**DRIVING MECHANISM:** Water-jet powered rotary driving arms acting through high quality worm reduction drive to cable winch.

**CONSTRUCTION:** Heavy duty welded steel chassis all hot dip galvanised.

#### SX-20



**IRRIGATOR MODEL:** SX-20.

**HOSE:** 67 metres X 40mm (1 1/4 inch).

**FLOW RATE:** 1.7 to 7 litres per second.

**OPERATING PRESSURE RANGE:** 345 to 483 kPa.

**TRAVEL DISTANCE PER RUN:** 130 metres.

**WETTED WIDTH:** 44 to 67 metres.

**DRIVING MECHANISM:** Water-jet powered rotary driving arms acting through high quality worm reduction drive to cable winch.

**HOSE REEL:** Galvanised steel with hose layout guide arm.

**CONSTRUCTION:** Heavy duty welded steel chassis all hot dip galvanised.

**OPTION:** Choice of skid or front wheels.

#### SX-30



**IRRIGATOR MODEL:** SX-30.

**HOSE:** 100 metres X 50mm (2 inch) Angus Hi-Flow lay flat irrigation hose with quick coupling connections.

**FLOW RATE:** 1.7 to 7.3 litres per second.

**OPERATING PRESSURE RANGE:** 413 to 551kPa.

**TRAVEL DISTANCE PER RUN:** 200 metres.

**WETTED WIDTH:** 46 to 70 metres.

**DRIVING MECHANISM:** Powerful piston type water motor with lever action drive to large diameter cable winch.

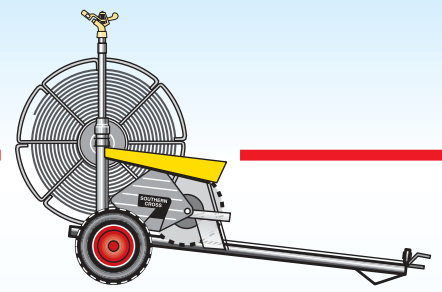
**HOSE REEL:** Vertical type for easy layout and rewind.

**CONSTRUCTION:** Heavy duty welded steel chassis all hot dip galvanised.

# SX10/20/30 TRAVELLING

## IRRIGATORS

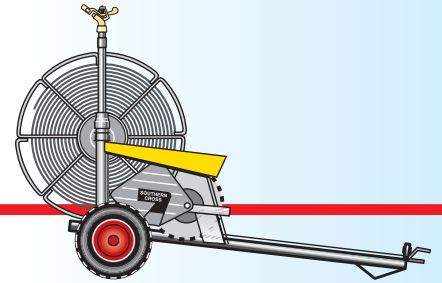
### PERFORMANCE DATA



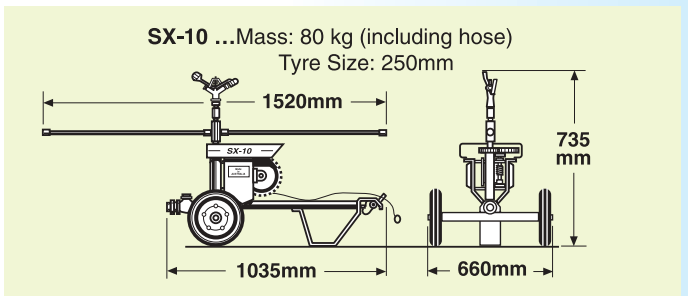
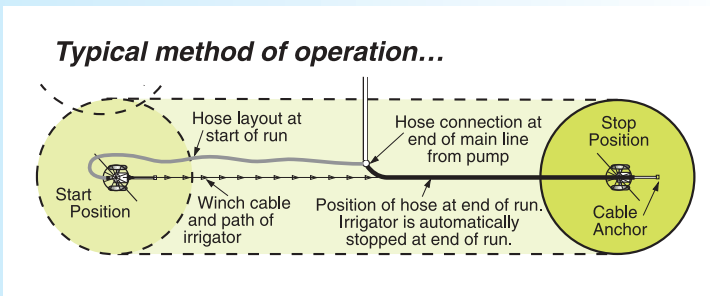
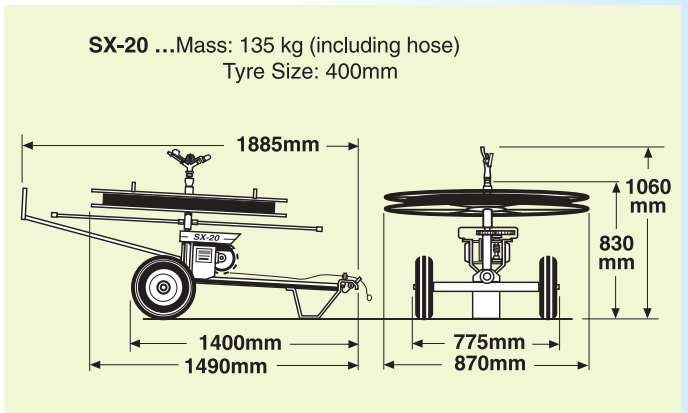
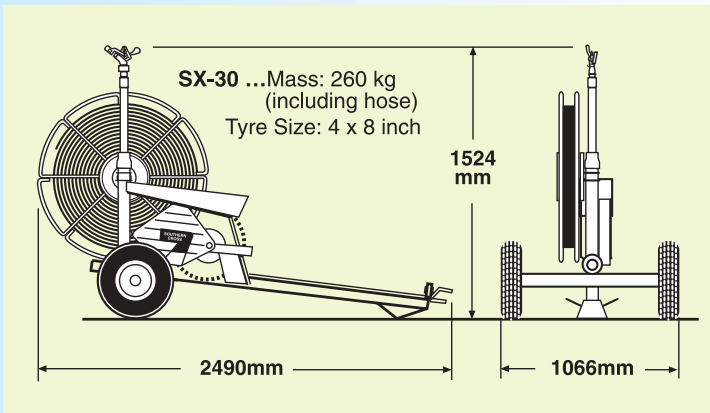
Sprinkler and Hose	Nozzle Diam. mm (ins)	Sprinkler Pressure kPa (psi)	Flow Rate l/sec (gpm)	Friction Loss in Hose kPa (psi)	Sprinkler Wetted Width m (ft)	Average Application Rate/hr mm (points)	Depth of Water Applied Per Run mm (inches) @ Travel Speed / Run Time
<b>SX-10</b>  <b>Nelson F43V Sprinkler</b> 55m X 25mm Hose (110m Spray Run)	4.0 (5/32)	275 (40) 345 (50)	0.46 (6.1) 0.49 (6.5)	7 (1.0) 7 (1.0)	28 (94) 29 (96)	2.9 (11.6) 3.0 (11.9)	8.1 (0.32) @ 7m/hr 8.6 (0.34) @ 7m/hr
	4.4 (11/64)	275 (40) 345 (50)	0.52 (6.9) 0.56 (7.4)	14 (2.0) 21 (3.0)	30 (97) 31 (100)	3.1 (12.3) 3.2 (12.4)	9.1 (0.36) @ 7m/hr 9.4 (0.37) @ 7m/hr
	4.8 (3/16)	275 (40) 345 (50)	0.58 (7.7) 0.64 (8.4)	26 (3.8) 34 (5.0)	31 (100) 32 (104)	3.3 (12.9) 3.3 (13.1)	9.9 (0.39) @ 7m/hr 10.4 (0.41) @ 7m/hr
	5.2 (13/64)	275 (40) 345 (50)	0.66 (8.7) 0.78 (10.3)	38 (5.5) 65 (9.4)	31 (103) 33 (107)	3.5 (13.8) 3.5 (13.8)	10.9 (0.43) @ 7m/hr 11.2 (0.44) @ 7m/hr
	5.6 (7/32)	275 (40) 345 (50)	0.73 (9.7) 0.81 (10.6)	55 (8.0) 69 (10.0)	32 (106) 34 (110)	3.7 (14.5) 3.7 (14.7)	11.7 (0.46) @ 7m/hr 12.4 (0.49) @ 7m/hr
	6.0 (15/64)	275 (40) 345 (50)	0.81 (10.7) 0.89 (11.7)	70 (10.2) 85 (12.4)	33 (107) 34 (112)	4.0 (15.7) 4.0 (15.7)	12.7 (0.50) @ 7m/hr 13.5 (0.53) @ 7m/hr
	6.4 (1/4)	275 (40) 345 (50)	0.90 (11.9) 0.99 (13.1)	90 (13.0) 112 (16.2)	33 (109) 35 (114)	4.3 (16.8) 4.3 (16.9)	14.0 (0.55) @ 7m/hr 14.7 (0.58) @ 7m/hr
	6.8 (17/64)	275 (40) 345 (50)	0.99 (13.1) 1.08 (14.3)	112 (16.2) 135 (19.6)	34 (111) 35 (116)	4.5 (17.9) 4.5 (17.9)	15.0 (0.59) @ 7m/hr 15.7 (0.62) @ 7m/hr
	7.2 (9/32)	275 (40) 345 (50)	1.08 (14.3) 1.19 (15.7)	135 (19.6) 161 (23.4)	34 (112) 36 (119)	4.9 (19.2) 4.7 (18.6)	16.3 (0.64) @ 7m/hr 16.8 (0.66) @ 7m/hr
<b>SX-20</b>  <b>Nelson F80V Sprinkler</b> 67m X 40mm Hose (130m Spray Run)	8.7 (11/32)	345 (50) 483 (70)	1.73 (22.8) 2.05 (27.0)	14 (2.0) 16 (2.3)	44.0 (144) 48.6 (160)	4.7 (18.5) 4.5 (17.7)	35.3 (1.39) @ 4m/hr 37.6 (1.48) @ 4m/hr
	9.5 (3/8)	345 (50) 483 (70)	2.02 (26.7) 2.39 (31.5)	16 (2.3) 24 (3.5)	45.6 (150) 50.6 (166)	5.1 (20.0) 4.9 (19.2)	39.9 (1.57) @ 4m/hr 42.4 (1.67) @ 4m/hr
	10.3 (13/32)	345 (50) 483 (70)	2.34 (30.9) 2.77 (36.6)	24 (3.5) 31 (4.5)	47.4 (156) 52.4 (172)	5.4 (21.4) 5.3 (20.8)	44.2 (1.74) @ 4m/hr 47.8 (1.88) @ 4m/hr
	11.1 (7/16)	345 (50) 483 (70)	2.64 (34.8) 3.14 (41.5)	28 (4.1) 40 (5.8)	49.4 (162) 54.8 (180)	5.7 (22.3) 5.5 (21.6)	48.0 (1.89) @ 4m/hr 51.6 (2.03) @ 4m/hr
	11.9 (15/32)	345 (50) 483 (70)	2.99 (39.5) 3.55 (46.9)	36 (5.2) 47 (6.8)	51.2 (168) 56.6 (186)	6.0 (23.5) 5.8 (22.8)	52.6 (2.07) @ 4m/hr 56.4 (2.22) @ 4m/hr
	12.7 (1/2)	345 (50) 483 (70)	3.37 (44.5) 3.40 (52.8)	46 (6.7) 66 (9.6)	53.0 (174) 58.4 (192)	6.3 (24.7) 6.1 (24.1)	57.2 (2.25) @ 4m/hr 61.5 (2.42) @ 4m/hr
	13.5 (17/32)	345 (50) 483 (70)	3.76 (49.6) 4.46 (58.9)	58 (8.4) 80 (11.6)	54.8 (180) 60.4 (198)	6.6 (25.8) 6.4 (25.3)	61.7 (2.43) @ 4m/hr 66.5 (2.62) @ 4m/hr
	14.3 (9/16)	345 (50) 483 (70)	4.17 (55.0) 4.94 (65.2)	70 (10.2) 98 (14.2)	56.0 (184) 62.2 (204)	6.9 (27.3) 6.7 (26.3)	66.8 (2.63) @ 4m/hr 71.4 (2.81) @ 4m/hr
	15.1 (19/32)	345 (50) 483 (70)	4.59 (60.6) 5.45 (72.0)	85 (12.3) 120 (17.4)	58.8 (192) 63.8 (208)	7.0 (27.6) 7.1 (28.0)	70.6 (2.78) @ 4m/hr 77.5 (3.05) @ 4m/hr
	15.9 (5/8)	345 (50) 483 (70)	5.02 (66.2) 5.96 (78.7)	101 (14.7) 144 (20.8)	61.6 (202) 65.2 (214)	6.9 (27.3) 7.3 (28.9)	73.4 (2.89) @ 4m/hr 82.3 (3.24) @ 4m/hr
	17.5 (11/16)	345 (50) 483 (70)	6.01 (79.3) 7.12 (94.0)	146 (21.2) 201 (29.2)	61.6 (202) 67.0 (220)	8.3 (32.7) 8.3 (32.6)	87.9 (3.46) @ 4m/hr 95.8 (3.77) @ 4m/hr
<b>SX-30</b>  <b>Nelson P85 Sprinkler</b> 100m X 50mm Hose (200m Spray Run)	8.7 (11/32)	413 (60) 551 (80)	1.68 (22.2) 1.93 (25.5)	9 (1.3) 12 (1.7)	46 (152) 51 (166)	4.0 (15.6) 4.0 (15.6)	11hr Run 10 (0.40) 23hr Run 21 (0.84) 47hr Run 44 (1.73)
	9.5 (3/8)	413 (60) 551 (80)	1.99 (26.3) 2.30 (3.30)	12 (1.8) 16 (2.3)	48 (158) 52 (172)	4.4 (17.3) 4.4 (17.3)	11 (0.42) 23 (0.89) 46 (1.81)
	10.3 (13/32)	413 (60) 551 (80)	2.35 (31.0) 2.70 (35.7)	17 (2.4) 22 (3.2)	51 (166) 55 (180)	4.8 (19.0) 4.8 (19.0)	12 (0.46) 24 (0.96) 50 (1.95)
	11.1 (7/16)	413 (60) 551 (80)	2.68 (35.4) 3.11 (41.1)	21 (3.1) 30 (4.3)	52 (172) 57 (186)	5.1 (19.9) 5.1 (19.9)	12 (0.49) 26 (1.02) 53 (2.08)
	11.9 (15/32)	413 (60) 551 (80)	3.07 (40.5) 3.55 (46.8)	28 (4.1) 37 (5.4)	54 (178) 59 (194)	5.4 (21.3) 5.4 (21.3)	13 (0.52) 27 (1.08) 56 (2.20)
	12.7 (1/2)	413 (60) 551 (80)	3.48 (45.9) 4.03 (53.2)	38 (5.5) 47 (6.8)	56 (184) 61 (200)	5.8 (22.7) 5.8 (22.7)	14 (0.55) 29 (1.14) 59 (2.33)
	13.5 (17/32)	413 (60) 551 (80)	3.90 (51.5) 4.53 (59.8)	43 (6.3) 65 (9.5)	58 (190) 63 (206)	6.1 (23.9) 6.1 (23.9)	14 (0.57) 30 (1.19) 62 (2.43)
	14.3 (9/16)	413 (60) 551 (80)	4.36 (57.5) 5.05 (66.7)	59 (8.6) 79 (11.5)	59 (194) 65 (212)	6.4 (25.2) 6.4 (25.2)	15 (0.61) 32 (1.27) 66 (2.60)
	15.9 (5/8)	413 (60) 515 (80)	5.30 (69.9) 6.12 (80.8)	88 (12.7) 114 (16.6)	63 (206) 68 (222)	7.0 (27.7) 7.0 (27.7)	16 (0.62) 33 (1.31) 68 (2.67)
	17.5 (11/16)	413 (60) 515 (80)	6.38 (84.2) 7.33 (96.7)	117 (17.0) 147 (21.4)	65 (212) 70 (230)	8.0 (31.6) 8.0 (31.6)	17 (0.66) 35 (1.39) 72 (2.83)



# SX10/20/30 TRAVELLING IRRIGATORS



## Hot Dip GALVANISED



As Tyco policy is one of constant improvement, we reserve the right to make specification changes without notice and without incurring liability.

Distributed by...



e-mail: [tpspumping@typac.com.au](mailto:tpspumping@typac.com.au)  
Ph: 131 786

A division of **tyco** Flow Control Pacific Pty Ltd  
A.B.N. 83 000 922 690