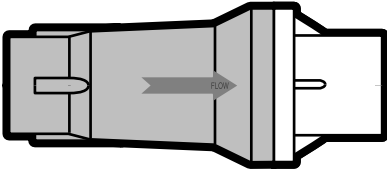


PMR LOW FLOW
3/4" (NPT) F x 3/4" (NPT) F

INLET

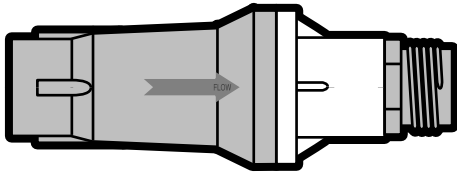
OUTLET



PMR LOW FLOW
3/4" (hose) F x 3/4" (hose) M

INLET

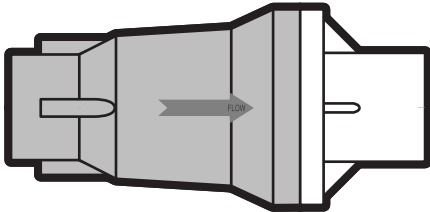
OUTLET



PMR MEDIUM FLOW
3/4" (NPT) F x 3/4" (NPT) F

INLET

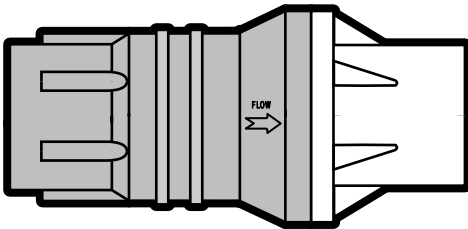
OUTLET



PMR MEDIUM FLOW
1" (NPT) F x 1" (NPT) F

INLET

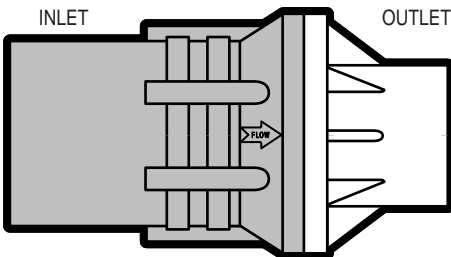
OUTLET



PR HIGH FLOW
1-1/4" (NPT) F x 1" (NPT) F

INLET

OUTLET



Pressure-Master[®] Regulators

APPLICATION & INSTALLATION GUIDE

**Senninger**
Irrigation Inc.

PROPER INSTALLATION

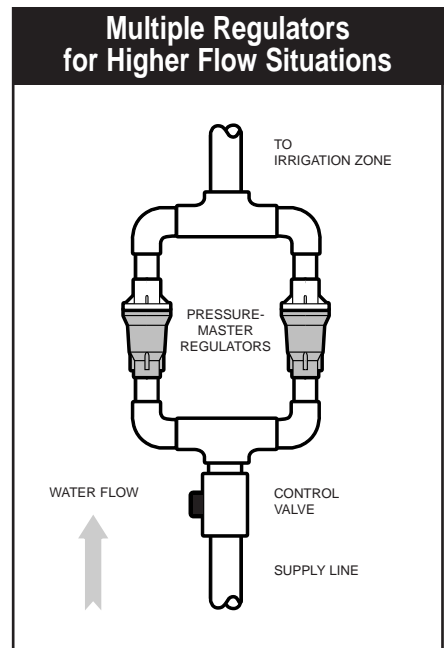
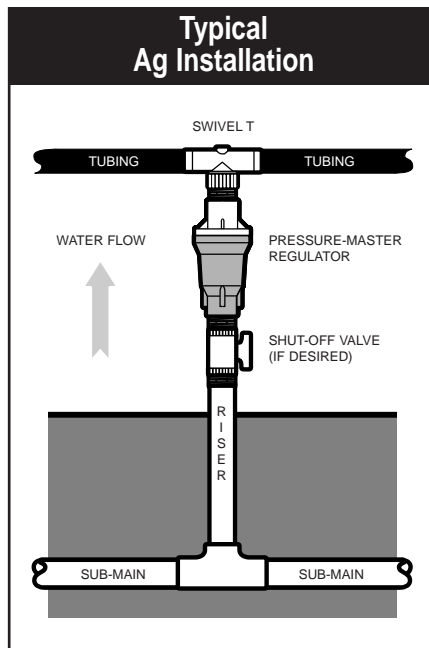
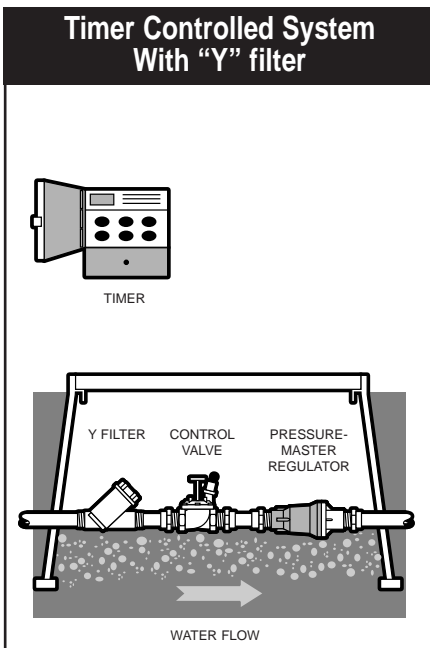
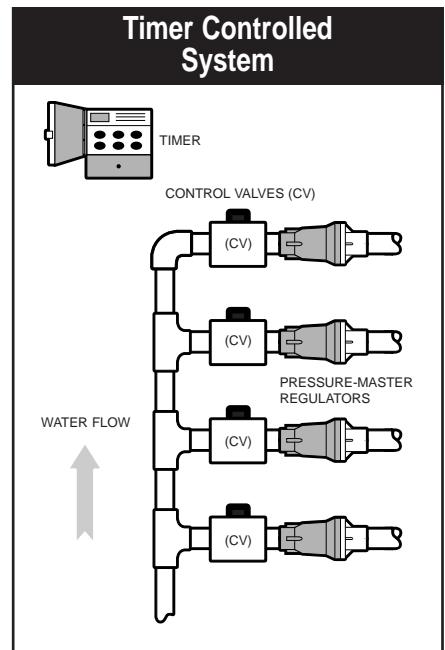
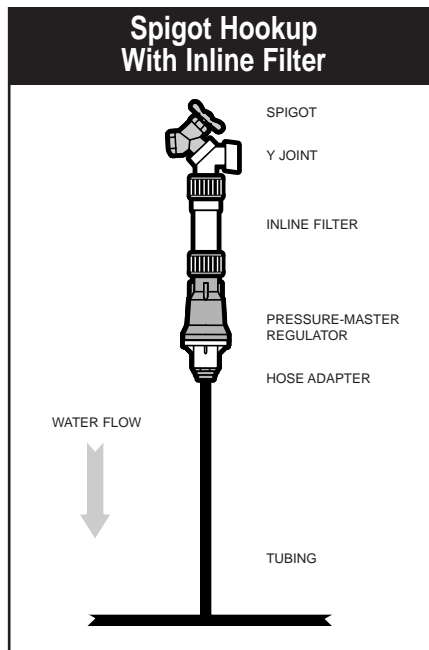
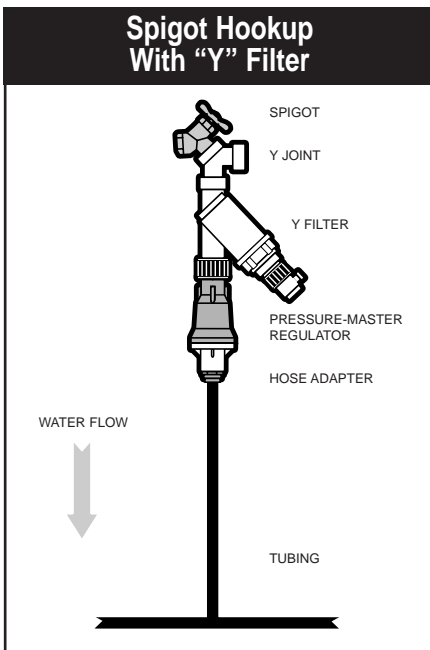
- The Pressure-Master® Regulator must always be placed downstream of all shut-off valve regardless of the application.
- Make sure to install regulator in the proper direction. Each regulator has a directional arrow embossed on the side of its lower housing. The arrow shows the direction of flow and should point downstream toward the drip tubing, sprinklers, emitters, etc.

- Never disassemble a pressure regulator. Regulators contain a compressed spring which may cause injury if released.

Senninger Irrigation Inc.

Telephone: (407) 293-5555
 Fax: (407) 293-5740
 Int'l Fax: (407) 293-5950
 Web: www.senninger.com
 E-Mail: info@senninger.com

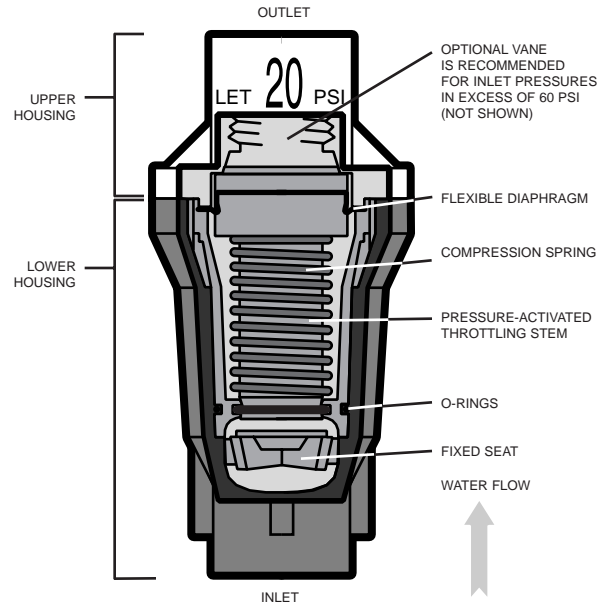
- Senninger pressure regulators are 100% water-tested for accuracy. Each is backed by a two-year manufacturer's warranty. Return any malfunctioning regulators (in assembled condition) to your nearest Senninger dealer. Include name and address where the regulator was purchased, date of purchase, and a brief description of the problems encountered.



NOTE: Be sure to employ proper anti-syphon devices when installing your system.

PRESSURE-MASTER® REGULATOR DESIGN

- Maintains a constant preset outlet pressure
- Handles steady inlet pressures up to 150 psi (optional vane is recommended for inlet pressures in excess of 60 psi)
- Can be installed above or below ground
- 100% water tested for regulating accuracy ($\pm 6\%$ variance of design pressure)
- No adjustments ever needed
- Strong, durable construction of high-impact engineering-grade thermoplastics with stainless steel compression spring and securing screws
- Very low hysteresis and friction losses
- Two-year warranty on materials, workmanship and performance



DESIGN FLOW RANGE

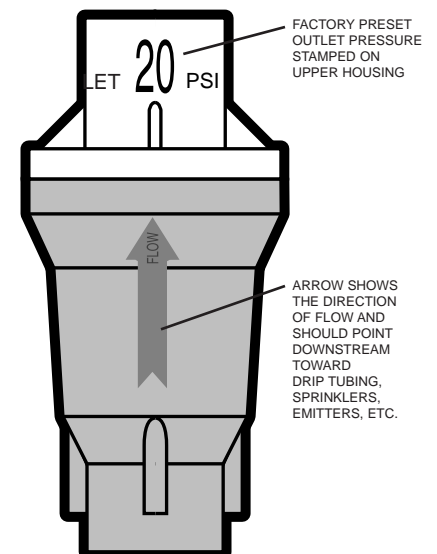
SERIES	FLOW RANGE	PRESET OUTLET PRESSURE	# OF 1 GPH EMITTERS*
LOW FLOW (PMR-LF)	0.1 to 8.0 gpm 0.006 to 0.504 L/s	10**, 12, 15, 20, 25, 30, 35, 40 psi 0.69 to 2.76 bar	6 - 480
MEDIUM FLOW (PMR-MF)	2.0 to 20.0 gpm 0.126 to 1.26 L/s	10**, 12, 15, 20, 25, 30, 35, 40, 50, 60 psi 0.69 to 4.14 bar	120 - 1200
HIGH FLOW (PR-HF)	10.0 to 32.0 gpm 0.63 to 2.02 L/s	10, 15, 20, 25, 30, 40, 50 psi 0.69 to 3.45 bar	600 - 1920

* Consult your dealer for correct number of emitters based on your pipe length and size.
 ** Flow range of PMR-10LF is 0.5 to 5.0 gpm or 0.3 to 0.32 L/s. Flow range of PMR-10MF is 4.0 to 16.0 gpm or 0.25 to 1.01 L/s.

CONFIGURATIONS

MODELS

SERIES	INLET SIZE	OUTLET SIZE
LOW FLOW (PMR-LF)	3/4" (NPT) female 3/4" (hose) female	3/4" (NPT) female 3/4" (hose) male
MEDIUM FLOW (PMR-MF)	3/4" (NPT) female 1" (NPT) female 1" (NPT) male	3/4" (NPT) female 1" (NPT) female
HIGH FLOW (PR-HF)	1-1/4" (NPT) female	1" (NPT) female



Senninger
Irrigation Inc.

6416 Old Winter Garden Road, Orlando, FL 32835 U.S.A.
 Telephone: (407) 293-5555
 Fax: (407) 293-5740
 Web: www.senninger.com

Int'l Fax: (407) 293-5950
 E-Mail: info@senninger.com

HELPFUL INFORMATION

IF REGULATOR IS LEAKING BETWEEN THE UPPER & LOWER HOUSING

CHECK FOR . . .



IMPROPER MOUNTING

The most common error when installing a pressure regulator is placing it backwards. To ensure proper mounting, first locate the directional arrow embossed on the side of the lower housing. This arrow indicates the direction of flow and should point downstream toward the drip tubing, sprinklers, emitters, etc.



WATER HAMMER DAMAGE

The pressure regulator may have been subjected to high inlet pressure or water hammer. Verify inlet pressure under normal operation. Confirm if a water hammer is occurring. To determine the proper course of action, contact Senninger Irrigation's technical service department at (407) 293-5555.



SHUT-OFF VALVE LOCATION

Never use a shut-off valve on the outlet / downstream side of the pressure regulator. The regulator is designed to operate in a dynamic situation within the recommended flow range.

IF IRREGULAR DOWNSTREAM OUTLET PRESSURES DEVELOP

CHECK FOR . . .



ACCURATE PRESSURE GAUGE

Durable quality gauges should always be used for testing pressures. Reliable and accurate gauges are available through your local Senninger dealer.



CLOGGED SCREENS OR FILTERS DOWNSTREAM

To ensure an unobstructed flow, check screens and filters for clogging. Periodic cleaning of screens is recommended.



PROPER FLOW RATE

Each pressure regulator's flow range should match your system's flow. Refer to design flow range chart (inside) or look at the range printed on the regulator upper housing. When the flow exceeds the capacity of a single regulator, you may use two or more regulators in parallel, while achieving the same desired result.



BREAKS OR LEAKS IN YOUR SYSTEM

Check your system for any leaks or breaks. These will cause irregularities downstream and/or in your outlet pressures.

IF VIBRATION NOISES ORIGINATE FROM THE REGULATOR

CHECK FOR . . .



PROPER FLOW RATE

Each pressure regulator's flow range should match your system's flow. Refer to design flow range chart (inside) or look at the range printed on the regulator upper housing. When the flow exceeds the capacity of a single regulator, you may use two or more regulators in parallel, while achieving the same desired result.



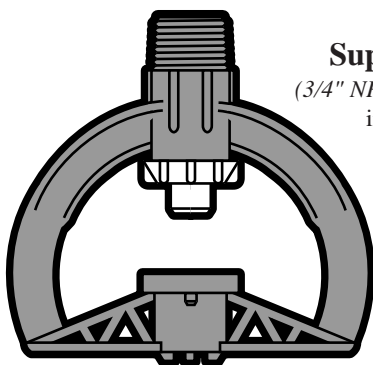
PROPER INLET PRESSURE

A Senninger-supplied internal vane is recommended for inlet pressures in excess of 60 psi. To determine the proper course of action, contact Senninger Irrigation's technical service department at (407) 293-5555.

Senninger
Irrigation Inc.

6416 Old Winter Garden Road
Orlando, FL 32835 U.S.A.
Telephone: (407) 293-5555
Fax: (407) 293-5740
Int'l Fax: (407) 293-5950
Web: www.senninger.com
E-Mail: info@senninger.com

For information about other products, contact your Senninger dealer or visit the Senninger website at www.senninger.com



Super Spray®
(3/4" NPT pipe thread)
interchangeable deflector pads to customize spray angle and droplet size (can be mounted upright or inverted).

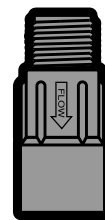
01RAG7



Mini-Wobbler®
(1/2" NPT pipe thread)
outstanding uniformity and distance of throw at low pressures (upright and inverted models available).



T-Spray™
(1/2" NPT pipe thread)
delivers a fine spray and is ideal for delicate stock (can be mounted upright or inverted).



Drain-Stop™
(1/2" NPT pipe thread)
prevents draining of laterals after the zone has been shut down.