



## Plastic Body Liquid Chemical Meter

### Model PB

The PB is an angle type, plastic body, multi-jet liquid chemical meter.

#### Features:

- The impeller is corrosion resistant and is the only moving element that comes in contact with the liquid.
- Electrical output (EV).

#### Applications

Measuring flow of fertilizer solutions, for agriculture, distilled water, seawater and many other diluted solutions.

#### Available Sizes

3/4" - 1" (20 - 25mm)

#### Technical Specifications

<b>Maximum Working Pressure</b>	10 bar
<b>Maximum Working Temperature</b>	50°C
<b>Body</b>	PVC or Polypropylene
<b>Connection</b>	3/4" - BSP, 1" BSP or NPS coupling
<b>Electrical output</b>	1, 10, 100 liter/pulse

Auckland NZ  
PH: (09) 919 7600  
FAX: (09) 919 7604

Distributed by: **aquaspec**  
www.aquaspec.co.nz 0800 353 966

Christchurch NZ  
PH: (03) 968 3230  
FAX: (03) 968 3231



► Fertilizer

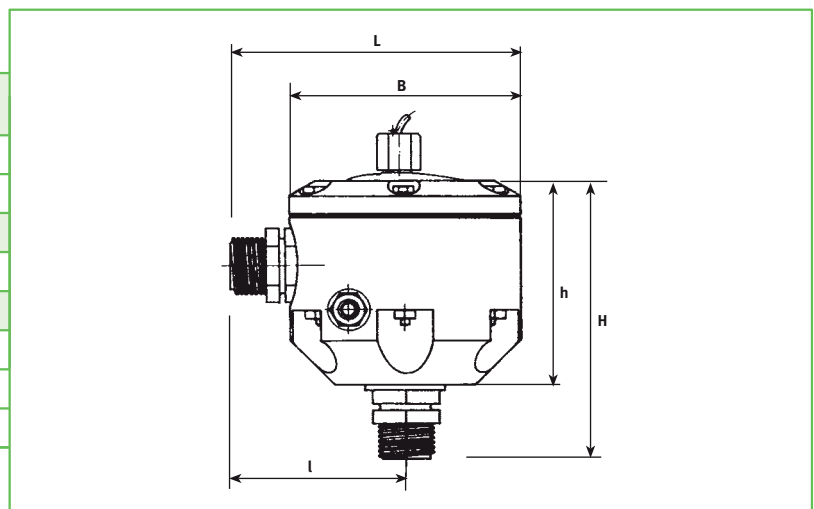
- └ PB
- Arad-o-valve
- Accessories

### Performance data:

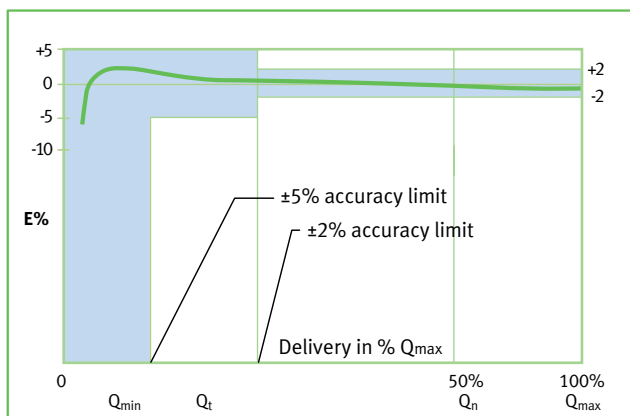
Model BM/A		Qmax Maximum flowrate (m <sup>3</sup> /h)	Qn Nominal Flowrate (m <sup>3</sup> /h)	Qt Transitional Flowrate (m <sup>3</sup> /h)	Qmin Minimum Flowrate (m <sup>3</sup> /h)	Minimum register capacity (m <sup>3</sup> )	Minimum register capacity (liter)	Accuracy between Qmax & Qt	Accuracy between Qt & Qmin
Nominal Size									
mm	inch								
20	3/4	5	2.5	200	50	10 <sup>5</sup>	0.1	±2	±5
25	1	10	5	400	100	10 <sup>5</sup>	0.1		

### Dimensions

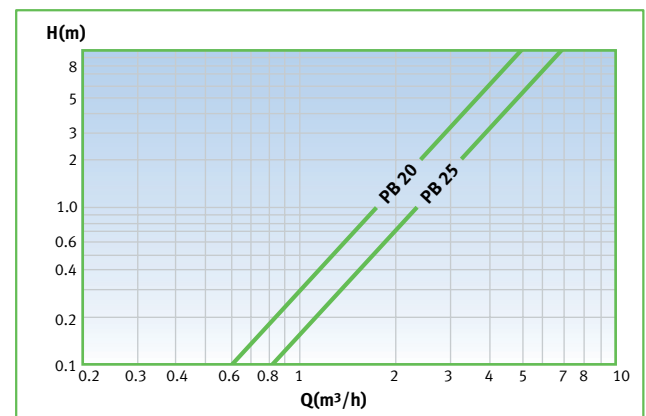
Model		PB	
Nominal size	(mm)	20	25
	(inch)	3/4	1
L – Length (mm)		150	
l – Length (mm)		90	
H – Height (mm)		150	
h – Height (mm)		115	
B – Width (mm)		120	
Weight (kg)		0.875	



### Accuracy Curve



### Head Loss Curve



### Installation Requirements

The meter should be installed with dial face in horizontal position.

