

# WP - WS / MFD PULSE EMITTERS

## Remote metering, remote control

The pulse emitters of the WP-WS/MFD range can be mounted on all Woltman WP-WS/MFD meters. These meters are designed to be fitted with a pulse emitter, either in the factory or on-site, without being dismantled.

Sappel offers two types of emitters:

- the Reed sensor, made up of a flexible reed switch emitting a low-frequency, voltage-free signal. Depending on its location in the register, it is actuated by one or several magnets situated on a sprocket wheel. It serves to transfer the index signal.

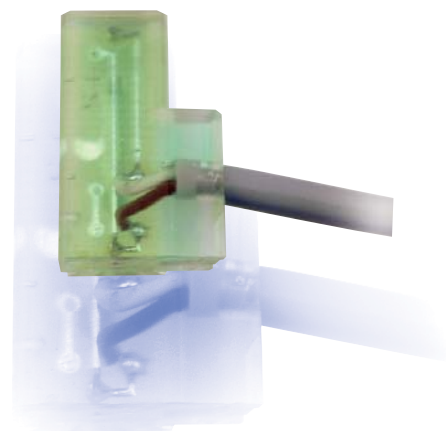
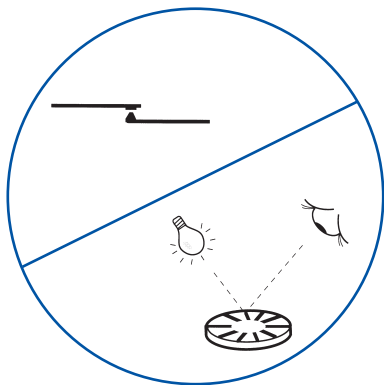
- the Opto sensor, which comprises an emitter that directs a light beam onto a reflective disc. Two versions are available:

Two versions are available:

- a 3-wire version that emits an open collector (NPN) signal.

- a 2-wire version that emits a Namur-type signal.

The Opto sensor emits high-frequency signals that enable the flowrate to be displayed. This model requires a power supply.



# Specifications

## PULSE EMITTERS

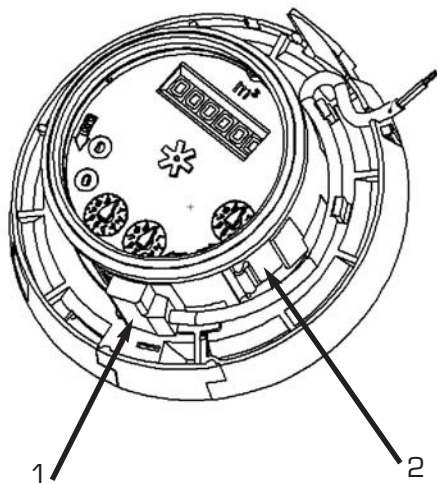
| Type                 | REED  | OPTO                  |                       |
|----------------------|---|-----------------------|-----------------------|
| Type of signal       | Dry contact<br>(flexible reed switch)         | Namur to<br>DIN 19234 | NPN<br>open collector |
| Max. operating temp. | 90°C  | 90°C                  | 90°C                  |
| Number of wires      | 2 wires                                       | 2 wires               | 3 wires               |
| Input voltage        | 24 VDC (without<br>current limiting resistor) | 8 VDC, 0.4 mA         | 30 VDC                |
| Maximum current      | 0.2A  | -                     | 50 mA                 |
| Operating current    | -   | > 3 mA                | -                     |
| Current at rest      | -   | < 0.5 mA              | -                     |
| Cable length         | 2 m   | 2 m                   | 2 m                   |
| Cable cross-section  | 2 x 0.25 sq. mm                               | 2 x 0.25 sq. mm       | 3 x 0.25 sq. mm       |
| Protection level     | IP 68   | IP 68                 | IP 68                 |

## PULSE VALUES

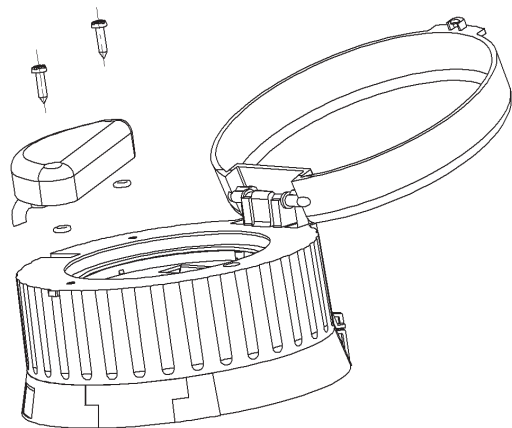
|                   |                  |            |            |
|-------------------|------------------|------------|------------|
| DN 50 to 125 mm   | 0.1 and 1 cu. m  | 1 litre    | 1 litre    |
| DN 150 to 300 mm  | 1 and 10 cu. m   | 10 litres  | 10 litres  |
| DN 400 and 500 mm | 10 and 100 cu. m | 100 litres | 100 litres |

## CONSTRUCTION AND ASSEMBLY

The Reed emitter is designed in the form of a pin that plugs into the openings (1 and/or 2) provided for this purpose on the register of each meter.



The Opto emitter screws directly onto the top side of the register.



Non contractual document. Please have the features specified before ordering.

Distributed by :

If you have any question, please do not hesitate to contact us :



**HEAD OFFICE** B.P. 10160 - 67 rue du Rhône - 68304 Saint-Louis Cedex - France  
Tel. +33 (0)3.89.69.54.00 - Fax +33 (0)3.89.69.72.20  
Web: [www.sappel.com](http://www.sappel.com) - E-mail: [info@sappel.com](mailto:info@sappel.com)

**EXPORT** B.P. 10160 - 67 rue du Rhône - 68304 Saint-Louis Cedex - France  
Tel. +33 (0)3.89.69.54.21 - Fax +33 (0)3.89.69.54.22  
E-mail: [export@sappel.com](mailto:export@sappel.com)