

ALTAİR® concentric

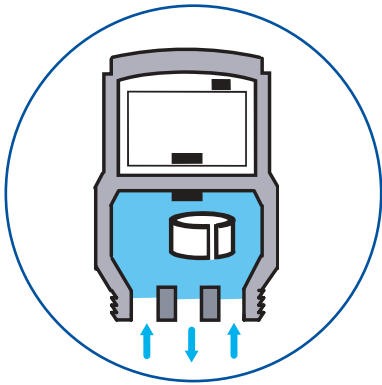
Modular volumetric meter
Qn 1.5-2.5 m³/h

Altair® concentric is a class C volumetric water meter.

Its metrology performance is the same as that of the Altair® range of meters - high measuring dynamics, very low start flowrates, low head loss and strong resistance to overflowrates.

Altair® concentric is compact. Its low profile means that it can be installed on a coaxial base in a concentric manhole.

The Altair® concentric meter is modular and can be fitted at any time with Izar® radio reading system or a Pulsar pulse emitter for use with Cursa® consumption analyser.



water range



modularity

 **sappel**

Main technical characteristics

DESIGNATION

Altair

Calibre Qn (m ³ /h)	1	1.5	2.5
--------------------------------	---	-----	-----

MEASURING RANGE (m³/h) *

Start flowrate		0.002		
Min. constructor's flowrate	+/- 5%	0.005		
Min. approved flowrate Qmin.	+/- 5%	0.010/0.0075	0.015/0.01125	0.0255/0.01875
Transition flowrate Qt	+/- 2%	0.015/0.01125	0.0225/0.01775	0.0375/0.028125
Nominal flowrate Qn	+/- 2%	1	1.5	2.5
Max. flowrate Qmax.	+/- 2%	2	3	5
Overload flowrate		7		

* class C / class D

EEC APPROVAL

Class	C & D (printed C)
Approval number	F03G - 175
WRC	in progress

TEMPERATURES AND PRESSURES

T. mini. and maxi.	from 0°C to + 30°C
Max. operating pressure	16 bar

HEAD LOSS

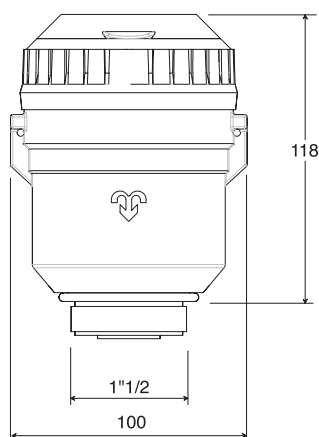
Kvs ($\Delta P=Q^2/Kvs^2$)	5
------------------------------	---

DIMENSIONS, WEIGHT AND CONNECTIONS

Height / width	mm	118 / 100
Diameter of connection		1" 1/2
Weight	Kg	1.11

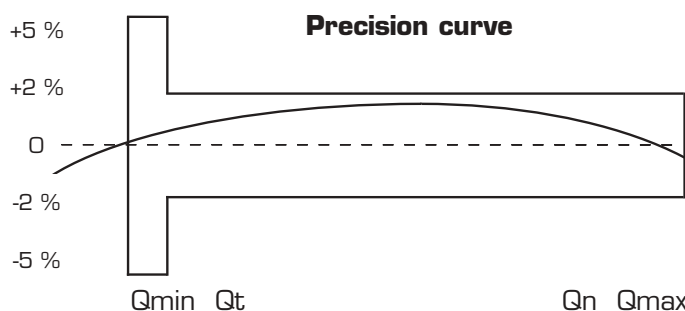
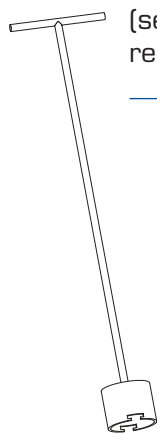
Option : Pulsar pulse emitter : 1 impulsion/litre

DIMENSIONS



Fitting and removing wrench

A special wrench is required for fitting or removing the meter (see below). The two seals are left on the meter when it is removed.



Distributed by :



Freephone : 0800 353 966

If you have any question, please do not hesitate to contact us :



HEAD OFFICE B.P. 10160 - 67 rue du Rhône - 68304 Saint-Louis Cedex - France
Tel. +33 (0)3.89.69.54.00 - Fax +33 (0)3.89.69.72.20
Web: www.sappel.com - E-mail: info@sappel.com

EXPORT B.P. 10160 - 67 rue du Rhône - 68304 Saint-Louis Cedex - France
Tel. +33 (0)3.89.69.54.21 - Fax +33 (0)3.89.69.54.22
E-mail: export@sappel.com