

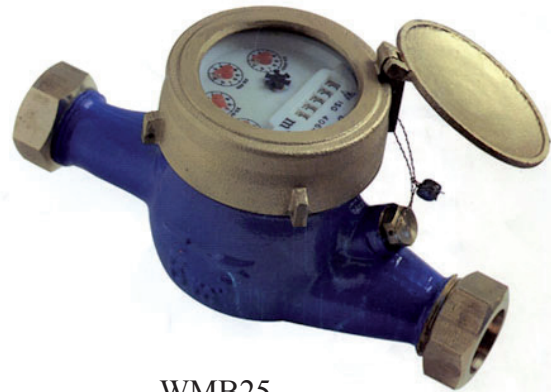
Water Meter

Application:

Used for measuring the volume of water passing through any pipeline in irrigation systems.

Specification:

- Epoxy Coated Cast Iron
- Register is Hermetically sealed
- Water Temperature: up to 30°C
- Water Pressure: up to 1000Kpa
- Accumulative Metering
- 15 - 50mm Fan wheel dry dial
- 80mm and above - Woltman Horizontal Helix dry dial.
- Design Performance is to ISO 4064B
- Max flow rate: = 2QN

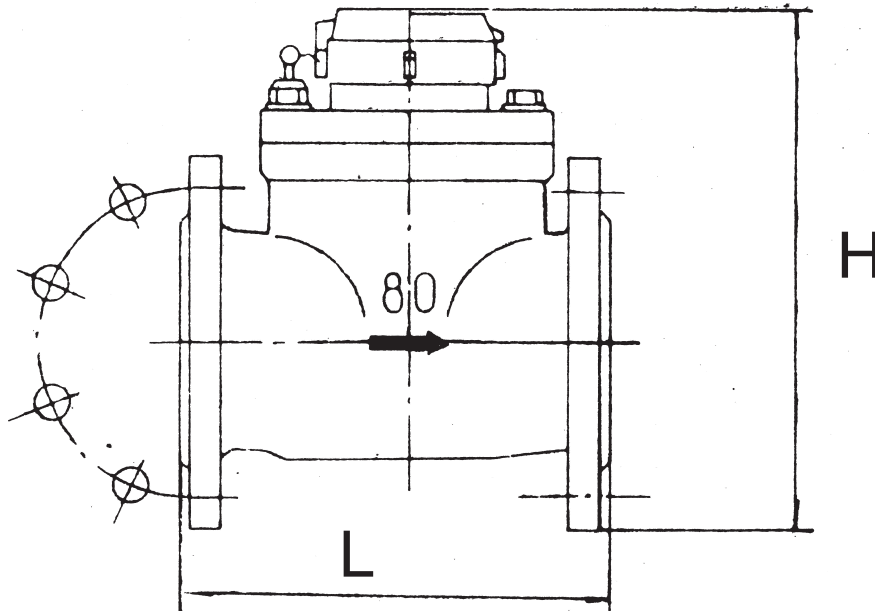


WMB25

Size (mm)	Min. flow rate	Nominal flow rate	Maximum flow rate Peak Duty
15	30 LPH	1500 LPH	3000 LPH
20	50 LPH	2500 LPH	5000 LPH
25	70 LPH	3500 LPH	7000 LPH
32	120 LPH	6000 LPH	12 000 LPH
40	200 LPH	10 000 LPH	20 000 LPH
50	700 LPH	15 000 LPH	50 000 LPH
80	1200 LPH	40 000 LPH	120 000 LPH
100	1800 LPH	60 000 LPH	200 000 LPH
150	4500 LPH	150 000 LPH	300 000 LPH
200	7500 LPH	250 000 LPH	500 000 LPH
250	12 000 LPH	400 000 LPH	800 000 LPH
300	18 000 LPH	600 000 LPH	1500 000 LPH

* Select meter using nominal flow rate as guide

Description	Code
15mm male thread	WMB15
20mm male thread	WMB20
25mm male thread	WMB25
32mm male thread	WMB32
40mm male thread	WMB40
50mm female thread	WMB50
50mm male thread	WMB50NT
80mm table E	WMB80
100mm table E	WMB100
150mm table E	WMB150
200mm table E	WMB200
250mm table E	WMB250
300mm table E	WMB300



Diameter (mm)	Length L (mm)	Height H (mm)	Weight (kg)	Inlet/Outlet
15	260	120	1.6	Male BSP
20	294	120	1.8	Male BSP
25	315	120	2.6	Male BSP
32	384	127	3.6	Male BSP
40	375	155	5.4	Male BSP
50	200	166	12	Female BSP
80	225	185	16	Table E
100	250	185	19	Table E
150	300	230	38	Table E
200	350	230	52	Table E
250	450	280	105	Table E
300	500	280	120	Table E

Installation and Maintenance:

1. Make sure water flow in same direction as arrow marked on body
2. Meter to be installed horizontal position only.
3. Flush main line before using meter.
4. Use water strainer if suspended particles present in water.
5. Install the meter with 10x the pipe diameter upstream of the meter and 5x the pipe diameter downstream of the meter