

Water Meter - Pulse Output

Application:

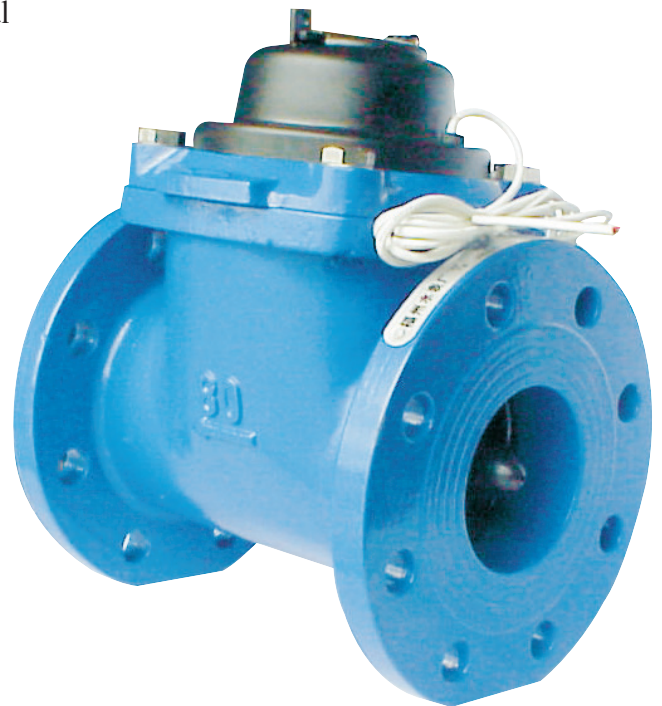
Used for measuring the volume of water passing through any pipeline in irrigation systems and sending a pulse signal to a controller or totaliser with analog inputs.

Specification:

15 – 50mm – Fan wheel dry dial
 80mm and above – Woltman horizontal helix dry dial
 Epoxy Coated Cast Iron
 Register is Hermetically sealed
 Water Temperature maximum is 30°C
 Water Pressure: up to 1000kPa
 Available with test certificate to accuracy of ±2%
 Design Performance is to ISO2064B standard

Pulse Head:

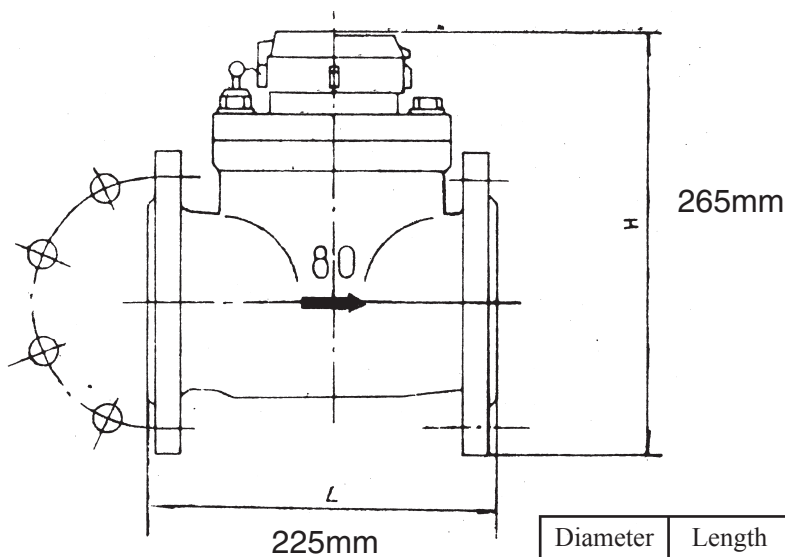
Maximum input current 0.5 AMP
 Maximum input voltage 10VDC
 15 – 32mm, 1 Ltr/pulse
 40 – 50mm, 10Ltr/pulse
 80 – 200mm, 1000Ltr/pulse
 Red = Signal
 Black = Signal
 Green = Earth Shield
 * Note: Contacts are normally closed



Size (mm)	Min. Flow Rate	Nominal Flow Rate	Maximum Flow Rate
15	30 LPH	1 500 LPH	3 000 LPH
20	50 LPH	2 500 LPH	5 000 LPH
25	70 LPH	3 500 LPH	7 000 LPH
32	120 LPH	6 000 LPH	12 000 LPH
40	200 LPH	10 000 LPH	20 000 LPH
50	450 LPH	15 000 LPH	30 000 LPH
80	1 200 LPH	40 000 LPH	80 000 LPH
100	1 800 LPH	60 000 LPH	120 000 LPH
150	4 500 LPH	150 000 LPH	300 000 LPH
200	7 500 LPH	250 000 LPH	500 000 LPH

† Select meter using nominal flow rate as guide

Description	Order Code
15mm male thread	WMB15EV
20mm male thread	WMB20EV
25mm male thread	WMB25EV
32mm male thread	WMB32EV
40mm male thread	WMB40EV
	50MM Male Thread
	WMB 50EVNT
50mm female thread	WMB50EV
80mm table E	WMB80EV
100mm table E	WMB100EV
150mm table E	WMB150EV



Diameter (mm)	Length L (mm)	Width W (mm)	Height H (mm)	Weight (kg)	Inlet/Outlet
15	260	94	120	1.6	Male BSP
20	294	94	120	1.8	Male BSP
25	315	100	120	2.6	Male BSP
32	334	103	127	3.6	Male BSP
40	375	125	155	5.4	Male BSP
50	200	165	255	13.5	Female BSP
80	225	200	265	15	Table C
100	250	220	275	18	Table C
150	300	285	305	31.5	Table C
200	350	340	375	46	Table C

Installation and Maintenance:

1. Make sure water flow in same direction as arrow marked on body
2. Meter to be installed horizontal position only.
3. Flush main line before using meter.
4. Use water strainer if suspended particles present in water.
5. Install the pipe with 10x Pipe Diameter upstream of the Meter and 5x Pipe Diameter downstream of the meter.