

# S-050-C, S-052 AUTOMATIC AIR RELEASE VALVE

PAT. PEND



Lightweight, small dimensions, simple and reliable structure.

The body is made of metal casting, and all operating parts are made of specially selected corrosion resistant materials.

Vandalism protected by a metal casting body.

Standard metal body - baked polyester coating.

## A.R.I patent, Rolling Seal Mechanism:

- Dramatically reduces the possibility of obstruction by debris.
- Discharges high air flow rates upto 160 m<sup>3</sup>/h.
- One size orifice for a wide pressure range (up to 16 bar).
- Self cleaning mechanism.

Working pressure range: S-050-C: 0.2-16 bar. (3-230 psi).  
S-052: 0.2-25 bar. (3-360 psi).

Available in 1/2" (15mm), 3/4" (20mm), 1" (25mm), BSPT/NPT threaded.

## Option

S-050-C-VAC: Vacuum check. Available as a valve that will only release air from the system and will not admit air to the system in vacuum condition.

## Ordering

Upon ordering, please specify: model, size, working pressure, threads standard and type of liquid.

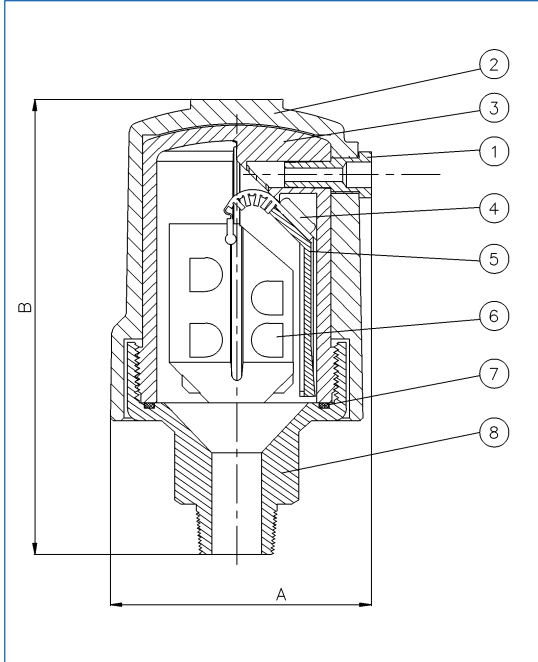
ECS050C2000

Auckland NZ  
PH: (09) 919 7600  
FAX: (09) 919 7604

Distributed by: **aquaspec**  
www.aquaspec.co.nz 0800 353 966

Christchurch NZ  
PH: (03) 968 3230  
FAX: (03) 968 3231

## PARTS LIST AND SPECIFICATION

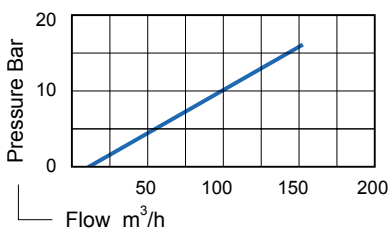


No.	Part	Material
1.	Threaded Outlet	Brass
2.	Body	PN16 Cast Iron ASTM A-48 CL.20B PN25 Sphero Nodular ASTM A-536 60-40-18
3.	Sleeve	Reinforced Nylon
4.	Rolling Seal	Rubber E.P.D.M.
5.	Clamping Stem	Reinforced Nylon
6.	Float	Foamed Polypropylene
7.	O-Ring	BUNA-N
8.	Base	Brass ASTM B-124

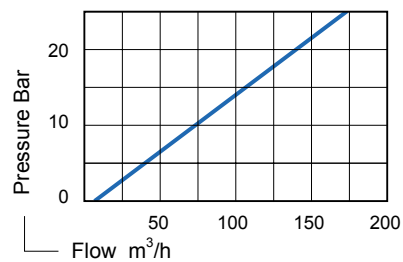
## DIMENSIONS AND WEIGHTS

Nominal Size	Dimensions mm		Weight Kg.	Orifice Area mm <sup>2</sup>	
	A	B		S-050-C	S-052
15mm 20mm 25mm 1/2" 3/4" 1"	84.6	148	1.65	12mm <sup>2</sup>	9mm <sup>2</sup>

**AUTOMATIC AIR DISCHARGE CHART FOR MODEL S-050-C**



**AUTOMATIC AIR DISCHARGE CHART FOR MODEL S-052**



Auckland NZ  
PH: (09) 919 7600  
FAX: (09) 919 7604

Distributed by: **aquaspec**  
www.aquaspec.co.nz 0800 353 966

Christchurch NZ  
PH: (03) 968 3230  
FAX: (03) 968 3231