

NR-020 CHECK VALVE



Made of engineered plastic materials (8" made of a hard anodize coated aluminium), it can operate under highly corrosive conditions.

Spring loaded check valve, may be installed in any position.

Minimum head loss. As the flap rises, its arm shortens resulting in a reduced moment, causing a reduction in head loss.

Recommended for use in hot water and heating systems, irrigation systems in general and for the application of fertilizers through irrigation systems.

Wafer-type construction, mounted between flanges.

Working pressures: 0.2-16 bar (3-230 psi).

Available in 3" (80 mm) - 8" (200 mm)

Options

- NR-020 LS Check valve with an electric indicator Limit Switch
- NR-020 FV Check valve with Stainless Steel Strainer as a Foot Valve.

Ordering

Upon ordering, please specify: model, size, working pressure and type of liquid.

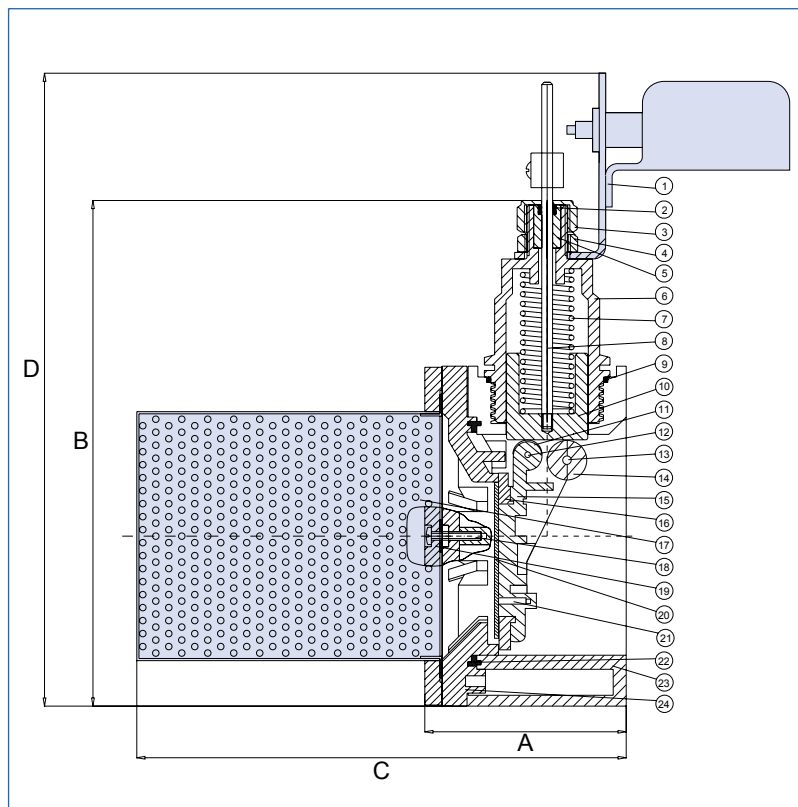
ECNR0202000

Auckland NZ
PH: (09) 919 7600
FAX: (09) 919 7604

Distributed
by: **aquaspec**
www.aquaspec.co.nz 0800 353 966

Christchurch NZ
PH: (03) 968 3230
FAX: (03) 968 3231

PARTS LIST AND SPECIFICATION



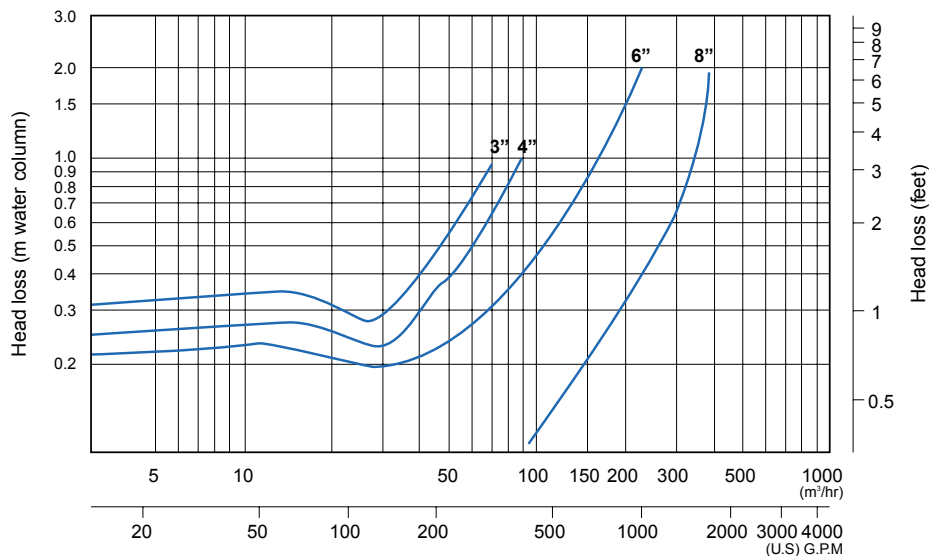
* Blue in the drawing - Options.

| No. | Part | Material |
|-----|-------------------------|-------------------------|
| 1. | Limit Switch | - |
| 2. | O-Ring 3"-6" | E.P.D.M |
| | 8" | BUNA-N |
| 3. | Plastic Cover | Nylon 66 |
| 4. | Plastic Nut | Nylon 66 |
| 5. | Indicator Stem Bushing | Teflon |
| 6. | Spring Chamber | Nylon 33% |
| 7. | Spring | Stainless Steel SAE 302 |
| 8. | Position Indicator Stem | Stainless Steel SAE 316 |
| 9. | O-Ring | BUNA-N |
| 10. | Spring Seat | Acetal |
| 11. | Shaft Bushing | Stainless Steel SAE 303 |
| 12. | Flap Shaft | Stainless Steel SAE 316 |
| 13. | Roller Shaft | Stainless Steel SAE 316 |
| 14. | Roller | Acetal |
| 15. | Flap 3"-6" | Nylon 6 50% |
| | 8" | Alum. ASTM SG 70A |
| 16. | Flap Seal | E.P.D.M |
| 17. | Strainer | Stainless Steel SAE 303 |
| 18. | Bolt | Stainless Steel |
| 19. | Strainer Cover | Nylon 6 50% |
| 20. | Disc | Stainless Steel SAE 303 |
| 21. | Bolt | Stainless Steel |
| 22. | Cover Seal | E.P.D.M |
| 23. | Body 3"-6" | Nylon 6 50% |
| | 8" | Alum. ASTM SG 70A |
| 24. | Cover 3"-6" | Nylon 6 50% |

DIMENSIONS AND WEIGHTS

| Nominal Size | Dimensions - mm | | | | Weight Kg. |
|--------------|-----------------|-----|-----|-----|---------------|
| | A | B | C | D | |
| 80mm 3" | | | | | |
| NR-020 | 77 | 210 | - | - | 1.15 |
| NR-020 LS | 77 | 210 | - | 279 | 1.50 |
| NR-020 FV | 84 | 210 | 203 | - | 1.50 |
| 100mm 4" | | | | | |
| NR-020 | 85 | 220 | - | - | 1.60 |
| NR-020 LS | 85 | 220 | - | 289 | 2.00 |
| NR-020 FV | 93 | 220 | 226 | - | 2.00 |
| 150mm 6" | | | | | |
| NR-020 | 107 | 331 | - | - | 3.15 |
| NR-020 LS | 107 | 331 | - | 389 | 3.60 |
| NR-020 FV | 114 | 331 | 291 | - | 4.00 |
| 200mm 8" | | | | | |
| NR-020 | 127 | 353 | - | - | 6.50 |
| NR-020 LS | 127 | 353 | - | 440 | 6.90 |
| NR-020 FV | 134 | 353 | 335 | - | 7.20 |

HEAD LOSS CHART



Auckland NZ
PH: (09) 919 7600
FAX: (09) 919 7604

Distributed by: **aquaspec**
www.aquaspec.co.nz 0800 353 966

Christchurch NZ
PH: (03) 968 3230
FAX: (03) 968 3231