

# K-020 KINETIC AIR VALVE FOR SEWAGE

Guarantee complete separation of the liquid from the sealing mechanism by creating an air gap at the top of the valve.

- The air gap is achieved by a conical body shape that maintains maximum distance between the liquid and the Sealing Mechanism; while obtaining minimum body length.
- Funnel-shaped lower body ensures that the residue sewage matter will sink to the system and be carried away.

The valve may be flushed through a ball valve at the valve's lower part.

Reliable operation reduces water hammer incidents.

Dynamic design allows high velocity air discharge, preventing premature closing.

Lightweight, small dimensions, simple and reliable structure.

All inner metal parts made of stainless steel.

Standard steel body - baked polyester coating.

Available with a Stainless Steel body or rilsan and enamel coatings.

Flanges are available in BS/ISO/ANSI standards.

Working pressure range: 0.2-16 bar. (3-230 psi).

Available in 3" (80mm) - 4" (100mm).

## Optional Addition:

Drainage outlets enables removal of excess fluids.

## Ordering

Upon ordering, please specify: model, size, working pressure, flanges standard and type of liquid.



ECK0202000

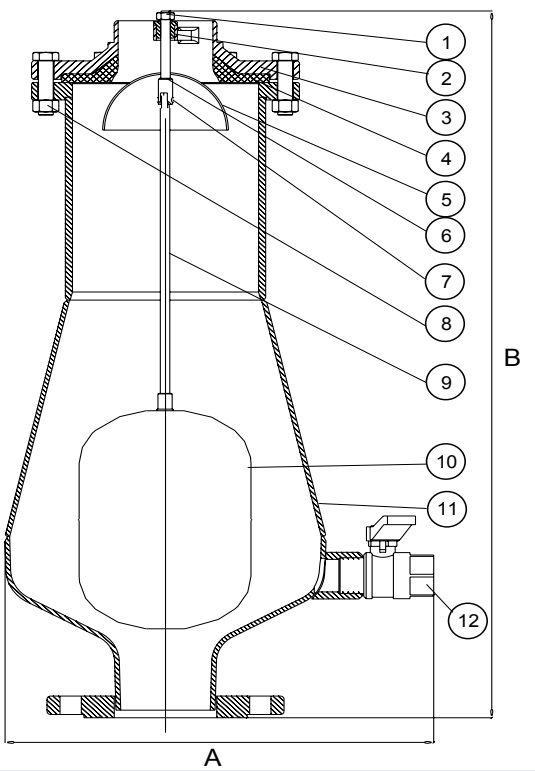
Auckland NZ  
PH: (09) 919 7600  
FAX: (09) 919 7604

Distributed  
by: **aquaspec**  
www.aquaspec.co.nz 0800 353 966

Christchurch NZ  
PH: (03) 968 3230  
FAX: (03) 968 3231

## PARTS LIST AND SPECIFICATION

No.	Part	Material
1.	Nut	Stainless Steel SAE 316
2.	Bushing	Teflon
3.	Cover	Cast Iron ASTM A48 CL.35B
4.	Seal	E.P.D.M.
5.	Spherical Flap	Stainless Steel SAE 316
6.	Joint	Stainless Steel SAE 316
7.	Pin	Stainless Steel SAE 316
8.	Bolt and Nut	Galvanized Steel Chromate Plated
9.	Stem	Stainless Steel SAE 316
10.	Float	Stainless Steel SAE 316
11.	Body	Steel Din ST.37
12.	Ball Valve	Brass ASTM B124 / Polypropylene

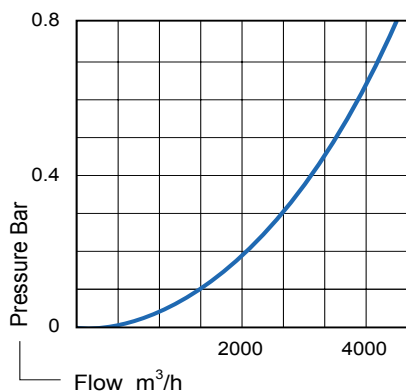


## DIMENSIONS AND WEIGHTS

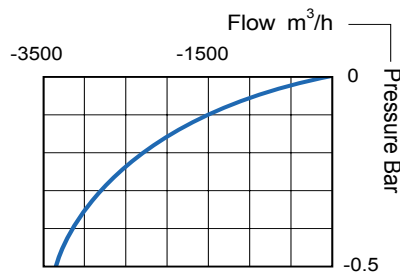
Nominal Size	A	B	Weight Kg.	Orifice size Area mm <sup>2</sup>
3" (80mm), 4" (100mm)	422	651.5	24	5026

## KINETIC AIR DISCHARGE CHARTS

OUTFLOW



INFLOW



Auckland NZ  
 PH: (09) 919 7600  
 FAX: (09) 919 7604

Distributed by: **aquaspec**  
[www.aquaspec.co.nz](http://www.aquaspec.co.nz) 0800 353 966

Christchurch NZ  
 PH: (03) 968 3230  
 FAX: (03) 968 3231