

D-050 COMBINATION AIR VALVE

PAT. PEND

Reliable operation reduces water hammer incidents.

Dynamic design allows high velocity air discharge, up to 0.8 bar differential pressure; Preventing premature closing.

Lightweight, small dimensions, simple and reliable structure.

Special nozzle design: combination of bronze and E.P.D.M rubber, assures long-term maintenance free operation.

The drainage outlets enables removal of excess fluids.

Standard metal body - baked polyester coating.



Automatic component

A.R.I patent, Rolling Seal Mechanism:

- Dramatically reduces the possibility of obstruction by debris.
- Discharges high air flow rates up to 160 m³/h.
- One size orifice for a wide pressure range (up to 16 bar 230 psi).
- Self cleaning mechanism.

Body made of high strength plastic.

All operating parts are made of specially selected corrosion resistant materials.

Threads are available in BSPT/NPT.

Flanges are available in BS/ISO/ANSI standards.

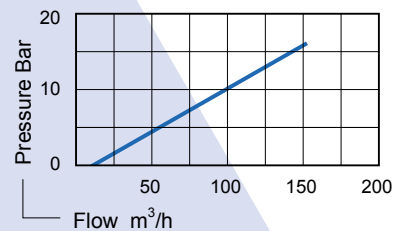
Working pressure range: 0.2-16 bar (3-230 psi).

Available in 2" (50mm) - 8" (200mm).

Ordering

Upon ordering, please specify: model, size, working pressure, threads/flanges standard and type of liquid.

AUTOMATIC AIR DISCHARGE CHART



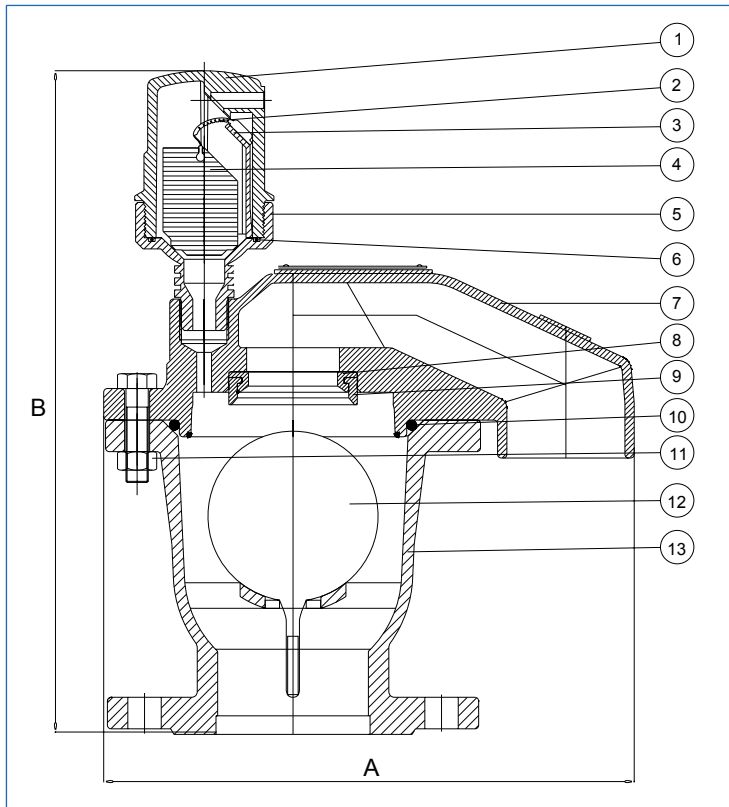
ECD0502000

Auckland NZ
PH: (09) 919 7600
FAX: (09) 919 7604

Distributed by: **aquaspec**
www.aquaspec.co.nz 0800 353 966

Christchurch NZ
PH: (03) 968 3230
FAX: (03) 968 3231

PARTS LIST AND SPECIFICATION



No.	Part	Material
1.	Body	Reinforced Nylon
2.	Rolling Seal	Rubber E.P.D.M
3.	Clamping Stem	Reinforced Nylon
4.	Float	Foamed Polypropylene
5.	Base	Brass ASTM B124
6.	O-Ring	BUNA-N
7.	Cover	Cast Iron ASTM A-48 CL35B
8.	Nozzle Seat	Sphero Nodular ASTM A-536-60-40-18 Bronze ASTM B-62 B271 C83600
9.	Nozzle Seal	Rubber E.P.D.M
10.	O-Ring	BUNA-N
11.	Bolt and Nut	Galvanized Steel, Chromate plated
12.	Float	2"-4" Polycarbonate 6"-8" Stainless Steel 304L
13.	Body	Cast Iron ASTM A-48 CL35B Sphero Nodular ASTM A-536-60-40-18
■	Basket	in 2" Polypropylene
■	Protective Cover	in 6" & 8" Cast Iron ASTM A-48 CL35B Sphero Nodular ASTM A-536-60-40-18

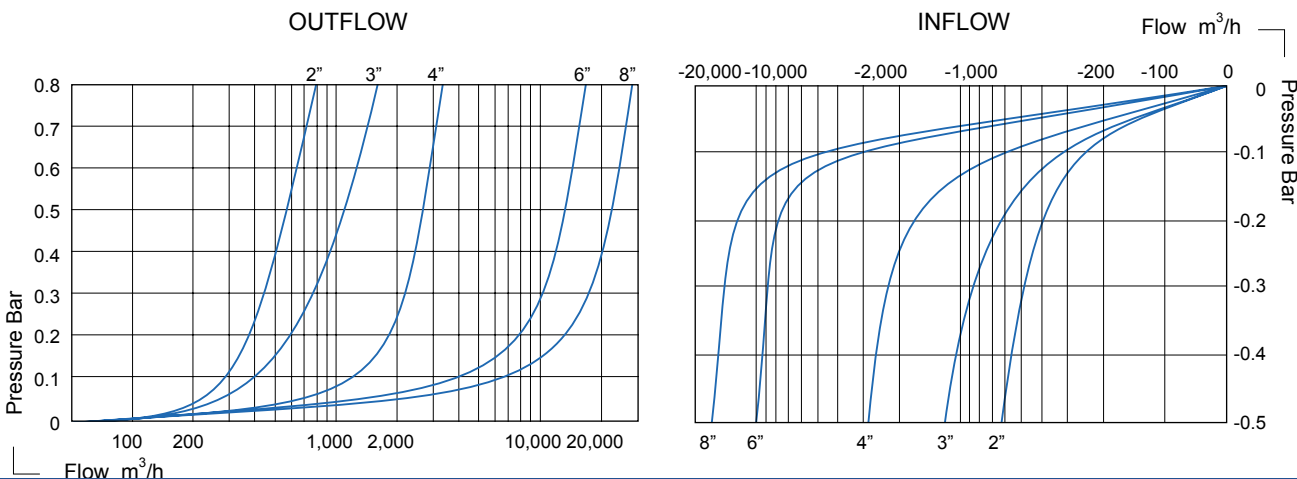
DIMENSIONS AND WEIGHTS

Nominal Size	Dimensions mm		Weight Kg	Orifice Area: Kin. Valve mm ²	Drainage outlet mm	
	A	B			Internal	External
50mm2" Threaded	167	330	9.4	794	1.5" BSP	not
50mm2" Flanged	167	335	12.0	794	threaded	applicable
80mm3"	286	356	18.4	1809	63.5	74.6
100mm 4"	342	368	26.4	3317	80.0	96.0
150mm 6"	553	550	77.6	17662	124.0	140.0
200mm 8"	553	553	85.6	17662	124.0	140.0

* Automatic Valve Orifice Area: 12 mm² for all valves



KINETIC AIR DISCHARGE CHART



Auckland NZ
PH: (09) 919 7600
FAX: (09) 919 7604

Distributed by: **aquaspec**
www.aquaspec.co.nz 0800 353 966

Christchurch NZ
PH: (03) 968 3230
FAX: (03) 968 3231