

D-050-CD COMBINATION AIR VALVE.

PAT. PEND

Reliable operation reduces water hammer incidents.

Dynamic design allows high velocity air discharge, up to 0.8 bar differential pressure; Preventing premature closing.

The body is made of metal casting, and all operating parts are made of specially selected corrosion resistant materials.

Lightweight, small dimensions, simple and reliable structure.

Vandalism protect by a metal casting body.

Special nozzle design: combination of bronze and E.P.D.M rubber, assures long-term maintenance free operation.

The drainage outlets enables removal of excess fluids.

Standard metal body - baked polyester coating.



Automatic component

A.R.I patent, rolling seal mechanism:

- Dramatically reduces the possibility of obstruction by debris.
- Discharges high air flow rates up to 160 m³/h.
- Self cleaning mechanism.
- One size orifice for a wide pressure range (up to 21 bar).

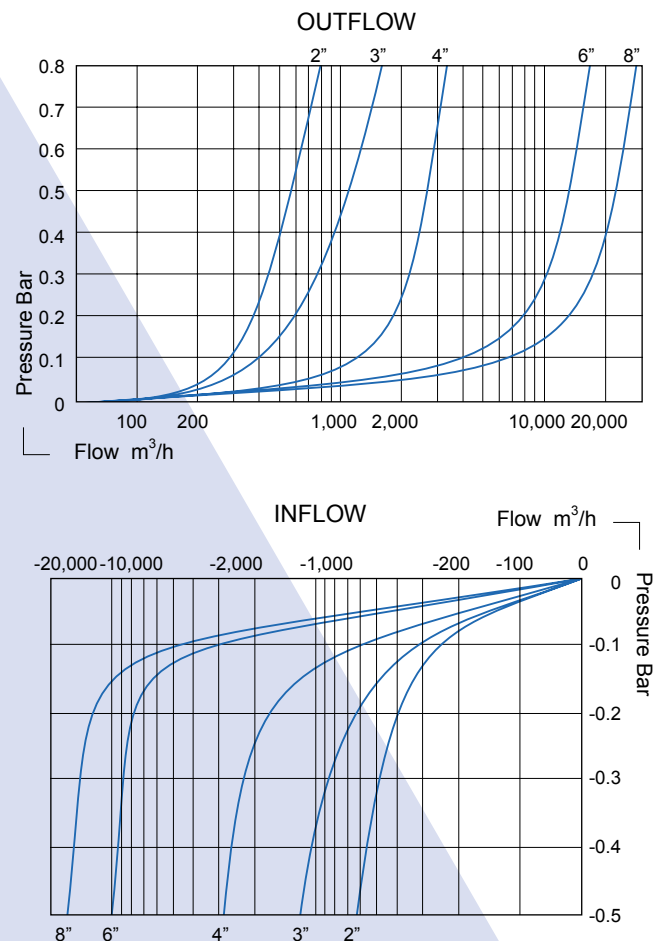
Threads are available in BSPT/NPT.

Flanges are available in BS/ISO/ANSI standards.

Working pressure range: D-050-CD: 0.2-21 bar.

Available in 2" (50mm) - 8" (200mm)

KINETIC AIR DISCHARGE CHART



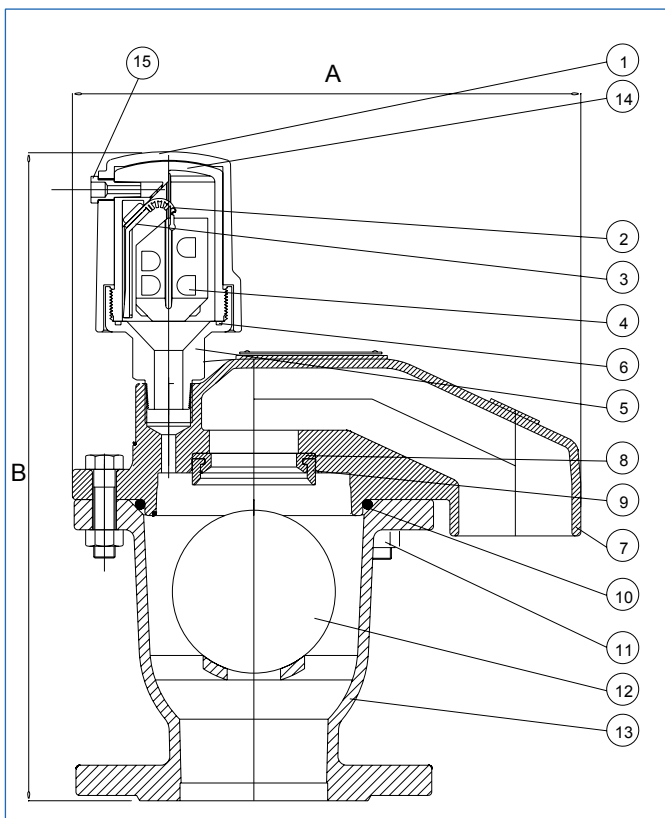
ECD050CD2000

Auckland NZ
PH: (09) 919 7600
FAX: (09) 919 7604

Distributed by: **aquaspec**
www.aquaspec.co.nz 0800 353 966

Christchurch NZ
PH: (03) 968 3230
FAX: (03) 968 3231

PARTS LIST AND SPECIFICATION



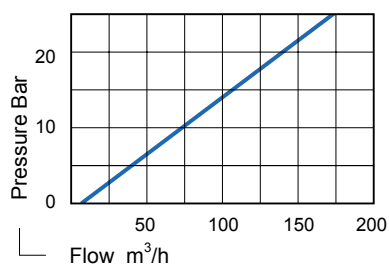
No. Part		Material
1.	Body	PN21 Sphero Nodular ASTM-536 60-40-18
2.	Rolling Seal	Rubber E.P.D.M
3.	Clamping Stem	Reinforced Nylon
4.	Float	Foamed Polypropylene
5.	Base	Brass ASTM B-124
6.	O-Ring	Buna-N
7.	Cover	PN21 Cast iron ASTM A-48 CL-35B
8.	Nozzle Seat	Bronze ASTM B-62 B-271 C83600
9.	Nozzle Seal	Rubber E.P.D.M
10.	O-Ring	Buna-N
11.	Bolt and Nut	Galvanized Steel, Chromate Plated
12.	Float	2"-4" Polycarbonate 6"-8" Stainless Steel 304L
13.	Body	PN21 Cast iron ASTM A-48 CL-35B
14.	Sleeve	Reinforced Nylon
15.	Threaded Outlet	Brass
■	Basket	in 2" Polypropylene
■	Protective Cover	in 6"/8" Sphero Nodular ASTM-536 60-40-18

DIMENSIONS AND WEIGHTS

Nominal Size	Dimensions mm	Weight	Orifice Area:		Drainage outlet mm	
			A	B	Kin. Valve mm ²	Internal
50mm 2" Threaded	173 340	10.0	794	1.5" BSP	not	
50mm 2" Flanged	173 346	13.0	794	threaded	applicable	
80mm 3"	286 368	19.3	1809	63.5	74.6	
100mm 4"	342 393	27.4	3317	80.0	96.0	
150mm 6"	553 557	79.0	17662	124.0	140.0	
200mm 8"	553 564	87.0	17662	124.0	140.0	

* Automatic Valve Orifice Area: 12mm².

AUTOMATIC AIR DISCHARGE CHART



Auckland NZ
PH: (09) 919 7600
FAX: (09) 919 7604

Distributed by: **aquaspec**
www.aquaspec.co.nz 0800 353 966

Christchurch NZ
PH: (03) 968 3230
FAX: (03) 968 3231