

# D-040 COMBINATION AIR VALVE

## "BARAK" PATENTED

Reliable operation reduces water hammer incidents.

Dynamic design allows high velocity air discharge, up to 0.8 bar differential pressure; Preventing premature closing.

Lightweight, small dimensions, simple and reliable structure.

The body is made of high strength plastic, and all operating parts are made of specially selected corrosion resistant materials.

The drainage outlets enables removal of excess fluids.



### Automatic component

A.R.I patent, Rolling Seal Mechanism:

- Dramatically reduces the possibility of obstruction by debris.
- Discharges high air flow rates upto 160 m<sup>3</sup>/h.
- One size orifice for a wide pressure range (up to 16 bar).
- Self cleaning mechanism.

Working pressure range: 3/4", 1": 0.2-10 bar (3-150 psi).

2": 0.2-16 bar (2-230 psi).

Available in 3/4" (20mm), 1" (25mm), 2" (50mm), BSPT/NPT threaded.

### Options:

- D-040-T: With a ball valve Tap.
- D-040-P: With Nylon Base or D-040-B: Brass base upon request.
- D-040-VAC: Vacuum check. Available as a valve that will only release air from the system and will not admit air to the system in vacuum condition.

### Ordering

Upon ordering, please specify: model, size, working pressure, threads/flanges standard and type of liquid.

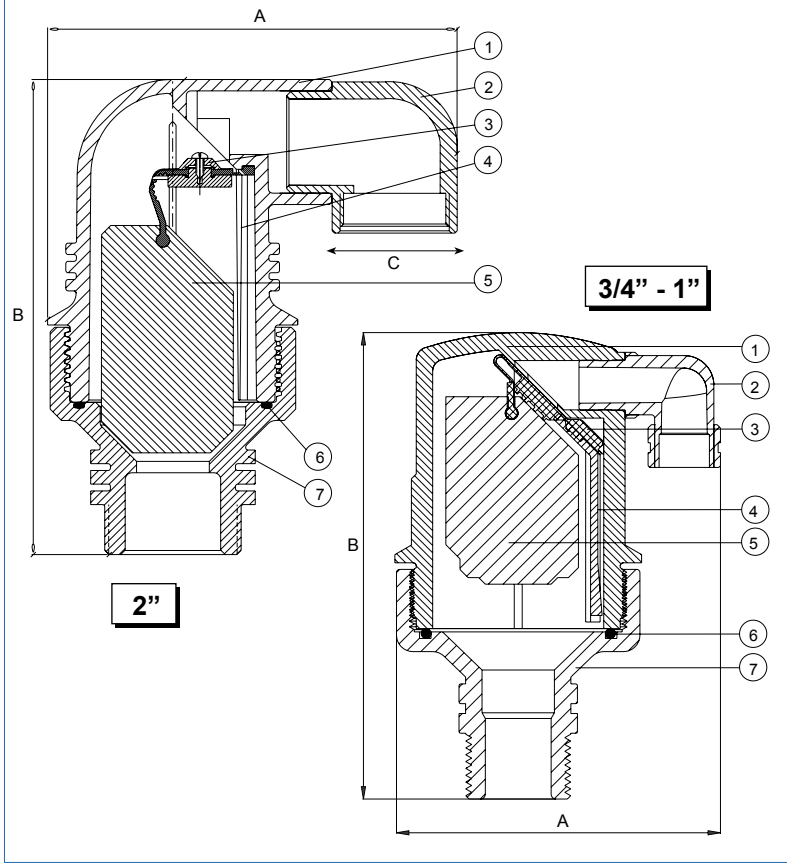
ECDD0402000

Auckland NZ  
PH: (09) 919 7600  
FAX: (09) 919 7604

Distributed by: **aquaspec**  
www.aquaspec.co.nz 0800 353 966

Christchurch NZ  
PH: (03) 968 3230  
FAX: (03) 968 3231

## PARTS LIST AND SPECIFICATION

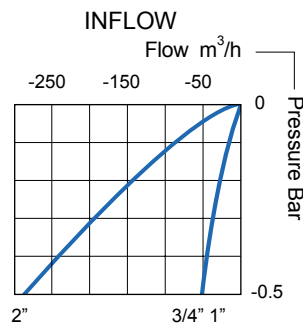
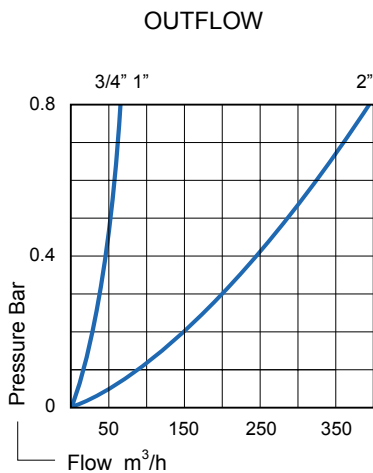


No.	Part	Material
1.	Body	Reinforced Nylon
2.	Drainage Elbow	Polypropylene
3.	Seal Plug Assembly	
4.	Clamping Stem	Reinforced Nylon
5.	Float	Foamed Polypropylene
6.	O-Ring	BUNA-N
7.	Base	Reinforced Nylon
7-01.	Base	Brass ASTM B124
<b>Optional</b>	Ball valve	Brass ASTM B124

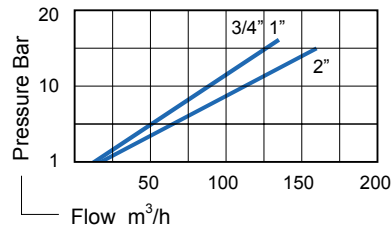
## DIMENSIONS AND WEIGHTS

Nominal Size	Dimensions mm			Weight Kg	Orifice Area (mm <sup>2</sup> ):	
	A	B	C		Automatic Valve	Kinetic Valve
<b>2" (50mm)</b>						
<b>D-040 Nylon Base</b>	180	209	1 1/2" BSP	1.1	12	804
<b>D-040 Brass Base</b>	180	209	1 1/2" BSP	2.2	12	804
<b>D-041 with Tap</b>	201	255	1 1/2" BSP	3.5	12	804
<b>3/4" (20mm), 1" (25mm)</b>						
<b>Nylon Base</b>	100	140	3/8" BSP	0.33	7.8	100
<b>Brass Base</b>	100	140	3/8" BSP	0.7	7.8	100

## KINETIC AIR FLOW CHART



## AUTOMATIC AIR DISCHARGE CHART



Auckland NZ  
PH: (09) 919 7600  
FAX: (09) 919 7604

Distributed by: **aquaspec**  
www.aquaspec.co.nz 0800 353 966

Christchurch NZ  
PH: (03) 968 3230  
FAX: (03) 968 3231