

D-010 COMBINATION AIR VALVE

Reliable operation reduces water hammer incidents.

Dynamic design allows high velocity air discharge, up to 0.8 bar differential pressure; Preventing premature closing.

Lightweight, small dimensions, simple and reliable structure.

Special nozzle design: combination of bronze and E.P.D.M rubber, assures long-term maintenance free operation.

A drainage outlet enables removal of excess fluids.

The automatic valve float, coated with soft rubber, ensures sealing at low pressures.

The automatic valve plastic screen basket prevents contact between the float and the casting, enabling smooth operation.

Standard metal body - baked polyester coating.

Threads are available in BSPT/NPT.

Flanges are available in BS/ISO/ANSI standards.

Working pressure range: 0.2-16 bar. (3-230 psi).

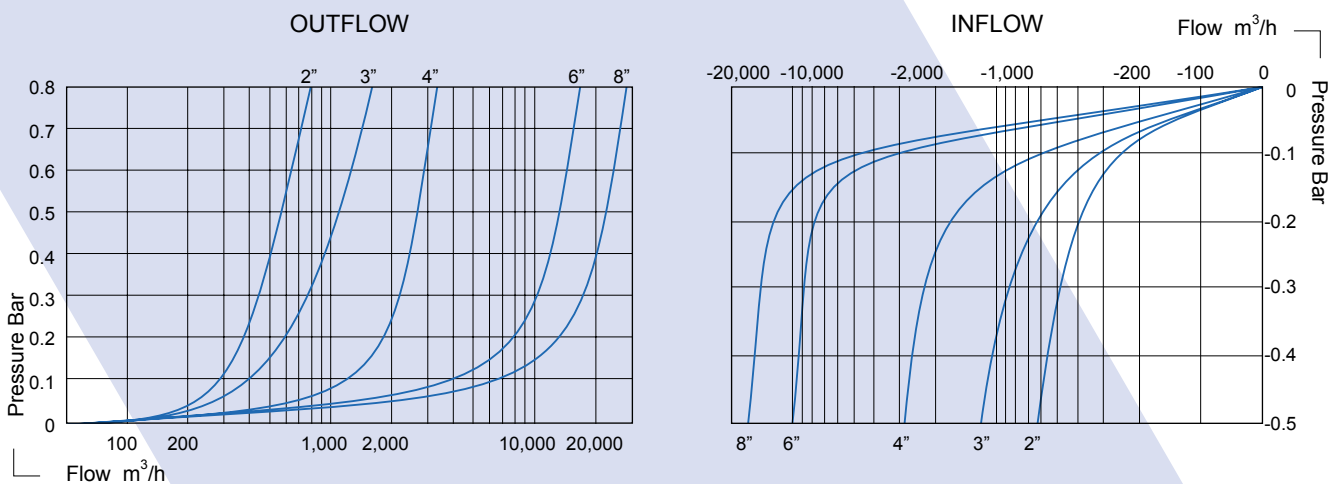
Available in 2" (50mm) - 8" (200mm).



Ordering

Upon ordering, please specify: model, size, working pressure, threads/flanges standard and type of liquid.

KINETIC AIR DISCHARGE CHART

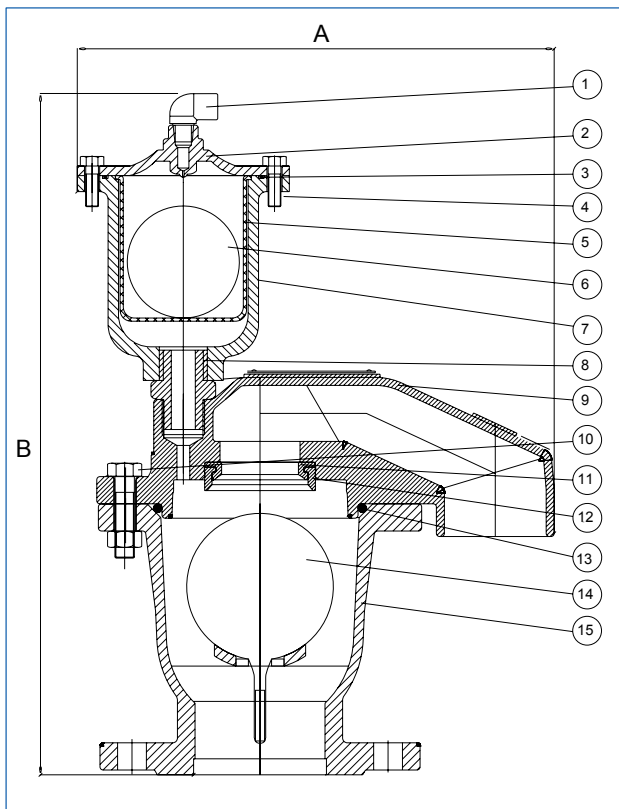


ECDD0102000

Auckland NZ
PH: (09) 919 7600
FAX: (09) 919 7604

Distributed by: **aquaspec**
www.aquaspec.co.nz 0800 353 966

Christchurch NZ
PH: (03) 968 3230
FAX: (03) 968 3231



PARTS LIST AND SPECIFICATION

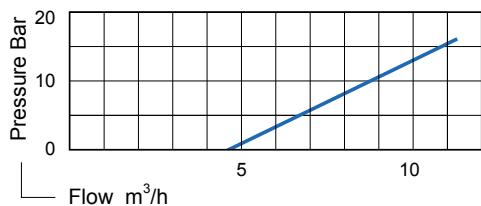
No.	Part	Material	
1.	Drainage Elbow	Brass	
2.	Cover and Nozzle	Brass ASTM B124	
3.	O-Ring	BUNA-N	
4.	Bolt and Nut	Galvanized Steel Chromate Plated	
5.	Screen Basket	Polypropylene	
6.	Float	Polycarbonate, Natural Rubber Coated	
7.	Body	Cast Iron ASTM A-48 CL.35B Sphero Nodular ASTM A-536-60-40-18	
8.	Male Adaptor	Brass ASTM B-124	
9.	Cover	Cast Iron ASTM A48 CL.35B Sphero Nodular ASTM A-536-60-40-18	
10.	Bolt and Nut	Galvanized Steel Chromate Plated	
11.	Nozzle Seat	Bronze ASTM B-62 B271 C83600	
12.	Nozzle Seal	Rubber E.P.D.M	
13.	O-Ring	BUNA-N	
14.	Float	2"-4" 6"-8"	Polycarbonate Stainless Steel 304L
15.	Body	Cast Iron ASTM A-48 CL, 35B Sphero Nodular ASTM A-536-60-40-18	
■	Basket	in 2"	Polypropylene
■	Protective Cover	in 6" & 8"	Cast Iron ASTM A-48 CL.35B Sphero Nodular ASTM A-536-60-40-18

DIMENSIONS AND WEIGHTS

Nominal Size	Dimensions mm		Weight Kg	Orifice Area: Kin Valve mm ² *	Drainage outlet mm	
	A	B			Internal	External
50mm 2" Threaded	167	393	12.4	794	1.5" BPS	not
50mm 2" Flanged	167	398	14.9	794	threaded	applicable
80mm 3"	298	415	21.0	1809	63.5	74.6
100mm 4"	352	425	29.2	3317	80	96
150mm 6"	553	640	81.0	17662	124	140
200mm 8"	553	640	88.5	17662	124	140

* Automatic Valve Orifice Area: 1mm² for all Valves

AUTOMATIC AIR DISCHARGE CHART



Auckland NZ
PH: (09) 919 7600
FAX: (09) 919 7604

Distributed by: **aquaspec**
www.aquaspec.co.nz 0800 353 966

Christchurch NZ
PH: (03) 968 3230
FAX: (03) 968 3231