

# PVC Sliding Gate Valve

## Features

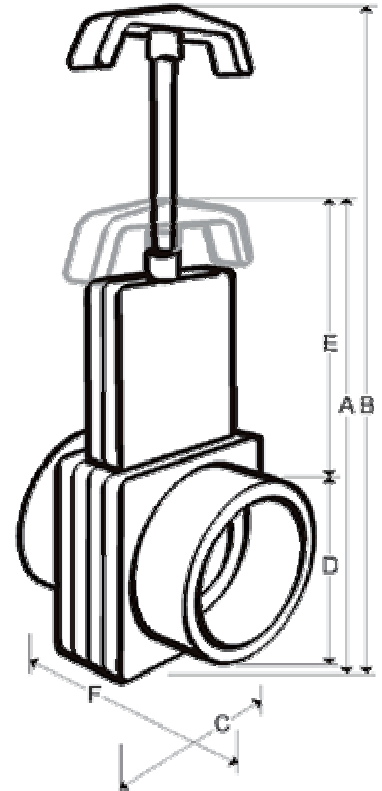
- Unrestricted flow
- Quick opening / closing
- Available with 12 VDC electric actuator
- Simple and trouble-free operation
- Solvent cement socket ends
- Available in 40mm - 150mm

## Applications

- Tank drain valve
- Effluent truck valve
- Quick shutoff in low pressure or vacuum lines
- Low pressure industrial or agricultural applications

## Materials

- Body - PVC
- Shaft - Stainless Steel
- Paddle - Polypropylene
- Handle - Plastic
- Seals - Santoprene



Dimensions						
Size	A	B	C	D	E	F
40mm	165	219	73	60	100	86
50mm	190	260	83	70	14	89
80mm	235	330	111	100	132	114
100mm	337	457	168	127	189	132
150mm	568	790	279	185	337	282

“B” Dimensions are height of valve in fully open position

## Pressure Rating

- 40mm - 300kPa
- 50mm - 275kPa
- 80mm - 200kPa
- 100mm - 150kPa
- 150mm - 75kPa

## Maximum Temperature 40°C

## Order Information

- **GVS40** - 40mm Slip
- **GVS50** - 50mm Slip
- **GVS80** - 80mm Slip
- **GVS100** - 100mm Slip
- **GVS150** - 150mm Slip



Auckland NZ  
PH: (09) 919 7600  
FAX: (09) 919 7604

Distributed by: **aquaspec**  
www.aquaspec.co.nz 0800 353 966

Christchurch NZ  
PH: (03) 968 3230  
FAX: (03) 968 3231