



GEM-SOL LATCH COIL



General Description

The GEM-SOL Latch coil is designed to be mounted on the "operator" to set up a solenoid valve.

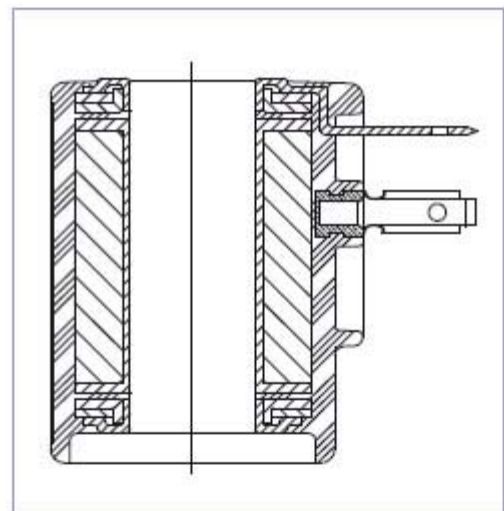
The coil, including its magnetic circuit and constant magnets, is encapsulated in high temperature resistant nylon to withstand humidity and heavy duty requirements.



Notes

- The latch coil should only be used with a suitable GEM-SOL operator.
- For outdoor applications or when the coil is exposed to high humidity, we recommend the use of impregnated coils.
- Baccara is able to manufacture latch coils for a wide range of voltages, from 3V to 220V. However, in order to select the appropriate coil for an application, further information is required: operating voltage, operating method and switching time.

Filling in the following application form will enable us to determine the most suitable coil. Please consult our technical sales department for further assistance.



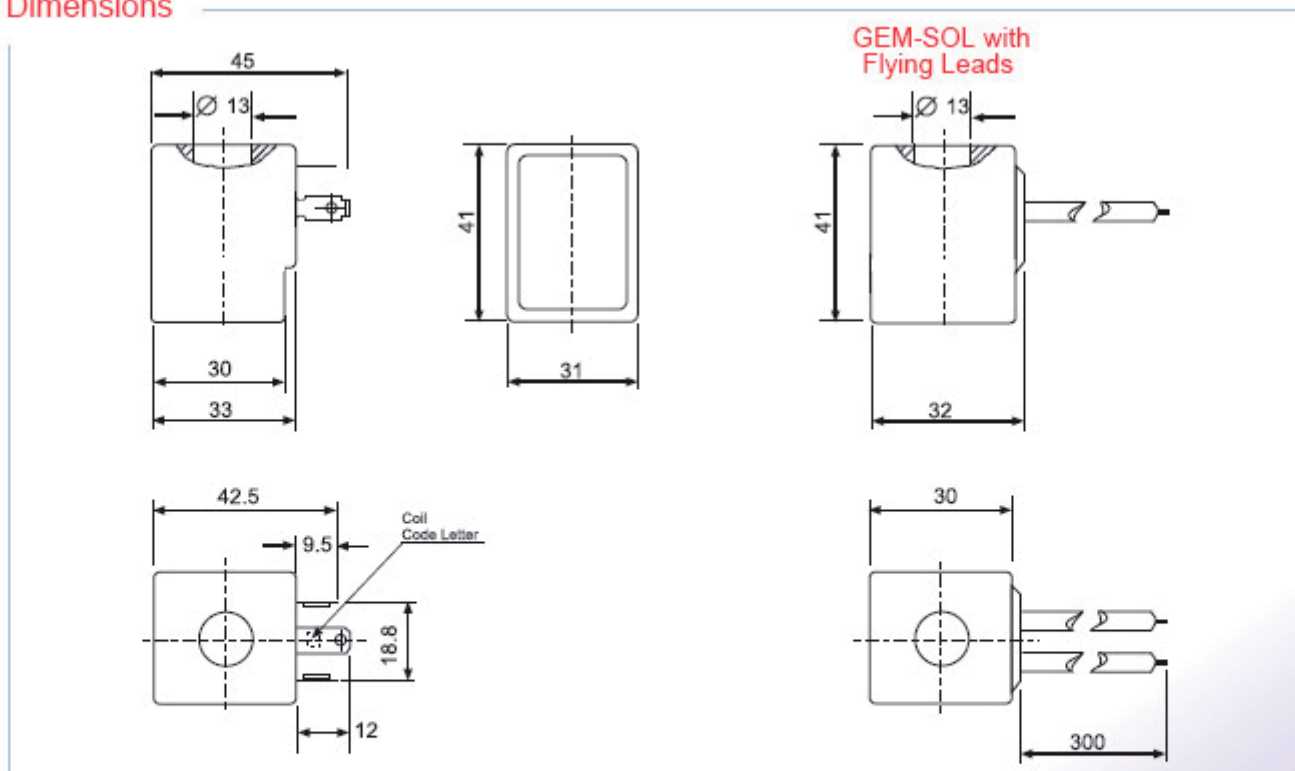
Application name/number To be filled in by customer	Voltage	Operating Method	Max. Current[A] on coil	Capacitor [μ F]	Switching time [msec]	Coil code (to be filled in by Baccara)
	3	Direct	≤2	None	≤25	
	6	Capacitor	≤1	2200	≤50	
	9		≤0.5	4700	≤100	
	12		≤0.1	other	other	
	24		other			
	230					
	Other					



Technical Specifications

Coil winding insulation:	H 180°
Temp Range:	-20°C to 150°C
Protection:	IP65 with connector
Electric data:	See table
Voltage variation:	Nominal ±10%, over voltage category II
Electric connection:	AMP pins, DIN 46242, 2 poles + 1 earth 2 flying leads, AWG18 300mm length
Junction box:	DIN 43650
Cable exit:	PG9 or 1/2" NPT
Assembly:	In any position
Fixing:	One nut G1/4" hexagonal 19mm
Weight:	100gr.

Dimensions



Auckland NZ
PH: (09) 919 7600
FAX: (09) 919 7604

Distributed by: **aquaspec**
www.aquaspec.co.nz 0800 353 966

Christchurch NZ
PH: (03) 968 3230
FAX: (03) 968 3231