

## GEVA 75 1/8" Solenoid Valves

### General Description

GEVA 75 1/8" solenoid valves are based on GEVA 75 operators mounted on a plastic base.

These bases are available with or without flange, manual override as standard.

### Applications

They are specially designed for irrigation control systems.

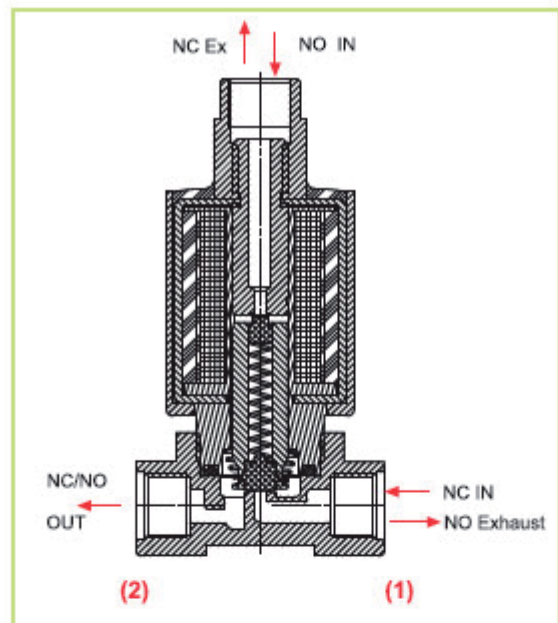
### Notes

For other available voltages and to order valves manufactured to your specific requirements, please contact our technical sales department.

### How to Order

**Example : G75 - A - 11032-1**

Is a GEVA 75 with flange, 1/8" BSP 3WNC, 1.2 orifice, 24VAC coil.



G75-A	Type	Port	Function	Orifice	Voltage	Wires *
	with flange 1	1/8" BSP 10	2WNC 1	1 1	24VAC 1	two null
	without flange 2	1/4" BSP * 20	3WNC 3	1.2 2	9-12 Latch(4□) 2	three a
	Brass 3	1/8" NPT 11	3WNO 4	1.6 3	12VAC 3	
		1/4" NPT * 21			12VDC 4	
					24VDC 5	
					24Latch(23□) 6	
					110VAC 7	
					6 Latch (4□) B	
					12 Latch (9□) C	
					16 Latch (12□) D	

\* BRASS only

\*For latch only

Technical Specifications

Ports size: 1/8" BSP or NPT

Materials: **Base & manual override:**  
Reinforced Nylon

**Seals:**  
EPDM

**Solenoid:**  
See solenoid specifications

Pressure: See table

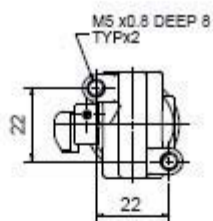
Mounting: Flange or by two tapping screws No.6

Voltage: 12, 24, 110, 230 AC  
12, 24 DC  
9-12, 24 V Latch

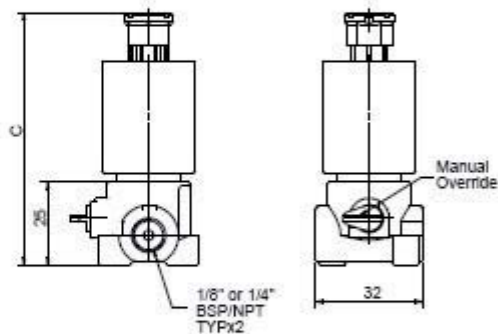
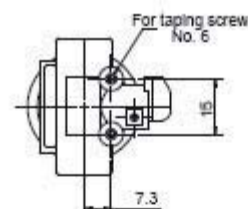
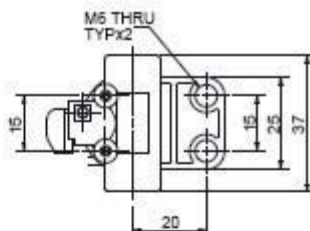
Protection class IP66

Function	Orifice	Pressure bar	
		AC	DC latch
2WNC	up to 2.0	12	12
	1	16	16
	1.2	11	11
3WNC	1.6	6	6
	1	16	16
3WNO	1.2	12	12
	1.6	8	8
	1	16	16

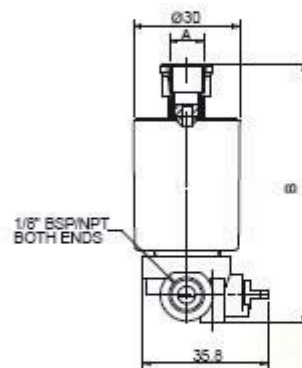
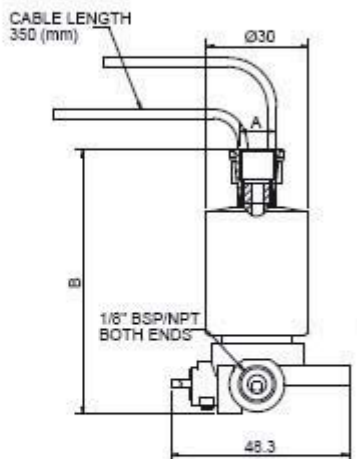
Dimensions



	A	B	C
2WNC	-	49	74.5
3W	1/8	70	75.5



BRASS



PLASTIC