

## GEVA 75 Latch Solenoid Operator 2/2, 3/2 Way NC, NO

### General Description

The 2/2, 3/2 Way, NC, NO operator is compatible with the 3/4-20 UNF operator seat.

Epoxy encapsulated construction and exclusion of air assures complete sealing for the coil and lead wires entry. Wet metal parts are made of passivated Stainless steel, for maximum corrosion protection.

The operator consists of one coil with exit of two lead wires. Electrical operation by reversing the current, by use of transistors or relays.



### Notes

- To pull the plunger up, connect the black wire to the (-) and the green to the (+).
- Coils for other voltages are available, please contact our technical sales department.



### How to Order

Example : G75 - O - 11022a

Is a GEVA 75 2WNC, 1/8" BSP, 1.2,  
9-12 V 4□, 3 wires Latch solenoid operator.

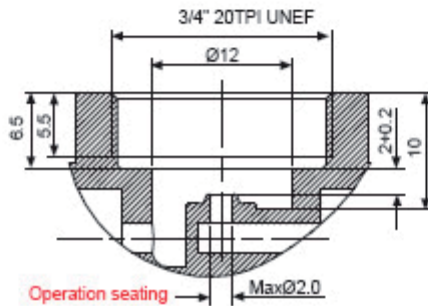
G75-O	Function	Port	Orifice	Voltage VDC	Wires
2WNC	1	None 00	None(for 2W) 0	6 (4 □) B	two null
3WNC	3	1/8" BSP 10	1 1	9-12 (4 □) 2	three a
3WNO	4	1/8" NPT 11	1.2 2	12 (9 □) C	
			1.6 3	16 (12 □) D	
				24 (23 □) 6	

**Technical Specifications**

Voltage: 9 or 12 VDC  
 Resistance: 4.2  $\square$   
 Capacitors: 4700 $\mu$ F for 9VDC, 220 $\mu$ F for 12VDC  
 Switching Time: 25-50 msec  
 Electric connection: Lead wires 35cm (Black/Green)  
 Protection: IP66  
 Ambient Temp: Max 60 $^{\circ}$ C  
 Fluid Temp: Max 80 $^{\circ}$ C

**Materials**

Housing: Reinforced Nylon 66  
 Plunger and Pole: Passivated AISI430F  
 Rubber Seat: EPDM  
 Encapsulate: Polyurethane



**Working Pressure 2W NC**

Orifice	up to 2.0
Pressure (bar)	12

**Working Pressure 3W NC**

Orifice	1.0	1.2	1.6
Pressure (bar)	16	11	6

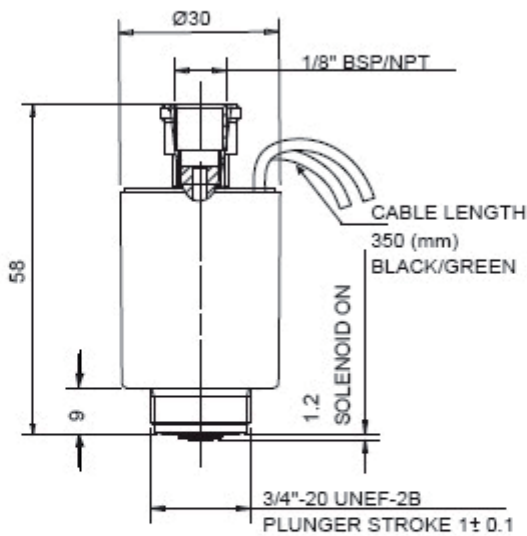
**Working Pressure 3W NO**

Orifice	1.0	1.2	1.6
Pressure (bar)	16	12	8

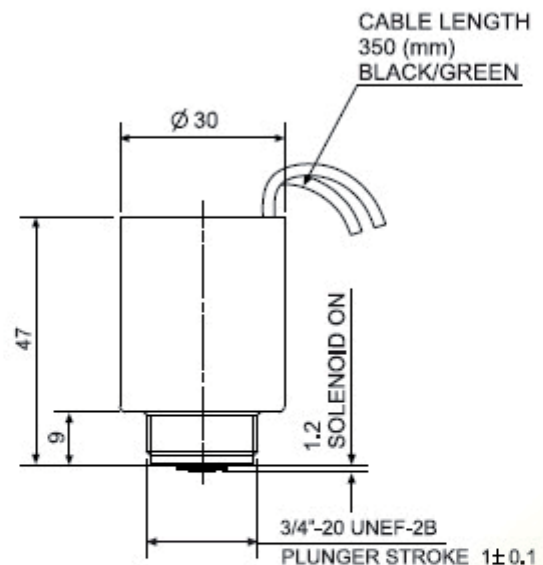
**Adaption Table**

Controller Type	V	C[ $\mu$ F]	$\square$
-	6	6800	4
Baccara	9	4700	4
Talgil	16	4700	12
Motorola	$\geq 20$	$\geq 3300$	23
Alextronix	12	4700	9
Q.T.	12	4700	9
Rainbird	12	4700	9
Miracle	12	4700	9
Galcon	12	4700	9
Other	Please consult		

**Dimensions**



**3WNC/3WNO**



**2WNC**

Auckland NZ  
 PH: (09) 919 7600  
 FAX: (09) 919 7604

Distributed by: **aquaspec**  
 www.aquaspec.co.nz 0800 353 966

Christchurch NZ  
 PH: (03) 968 3230  
 FAX: (03) 968 3231