



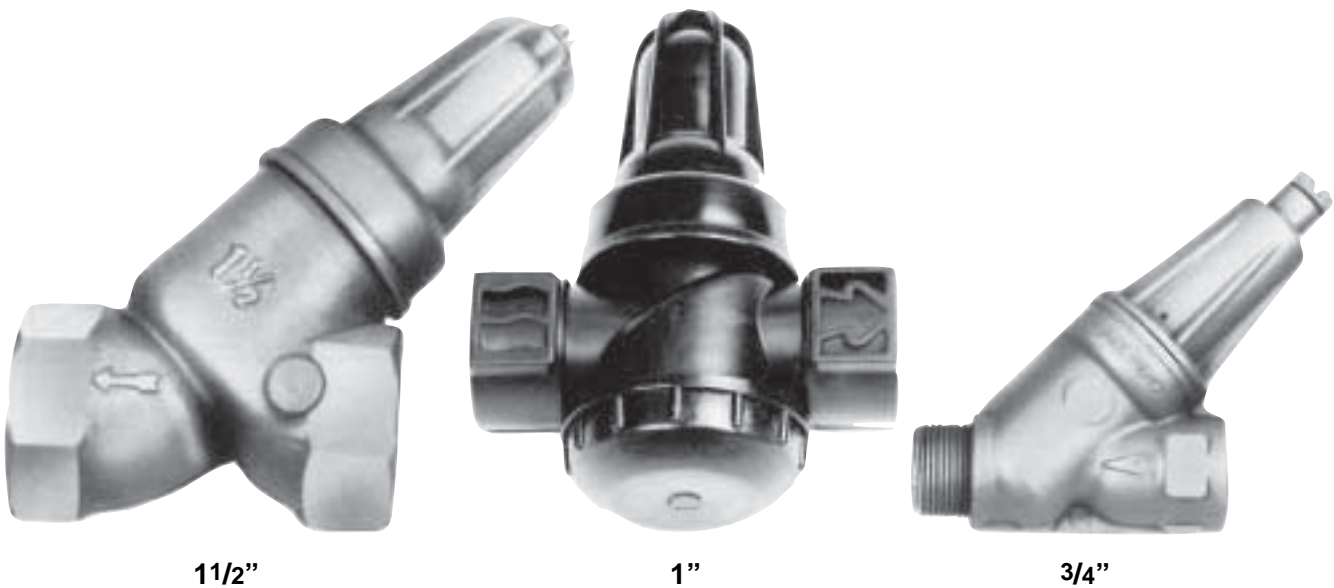
PRV Series DIRECT ACTING PRESSURE REDUCING VALVES

For irrigation

The **BERMAD PRV Series** Direct Acting Pressure Reducing Valves have been specially designed for use where accurate and reliable control of line pressure is required, regardless of fluctuations in supply pressure and/or flow rate.

FEATURES

- The use of a rolling diaphragm provides:
 - Complete separation of the mechanism from the flow, resulting in long, trouble-free service.
 - Minimum friction resistance to mechanism movement, resulting in accurate performance.
- PRV regulators are available with a wide range of spring selection, for downstream pressure setting.
- PRV regulators are available in two models: adjustable and fixed downstream preset pressure.
- PRV regulators are also available in drip-tight models for static pressure conditions.





Model 0075-PRV

Specifications

Sizes: 3/4"

End Connections:

Female or male-female threading
BSP, NPT

Flow Capacity Range:

Standard model: 0.2-5.0 m³/h
High & low flow model: 0.01-5.0 m³/h

Pressure Rating:

Minimum working pressure
0.7 bar (10 psi)
maximum working pressure
9 bar (130 psi)

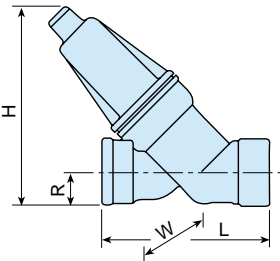
Temperature Range:

Water up to 80°C (180°F)

Materials:

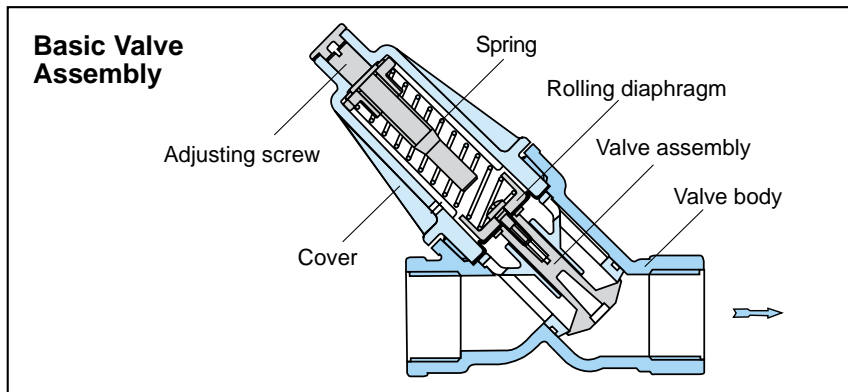
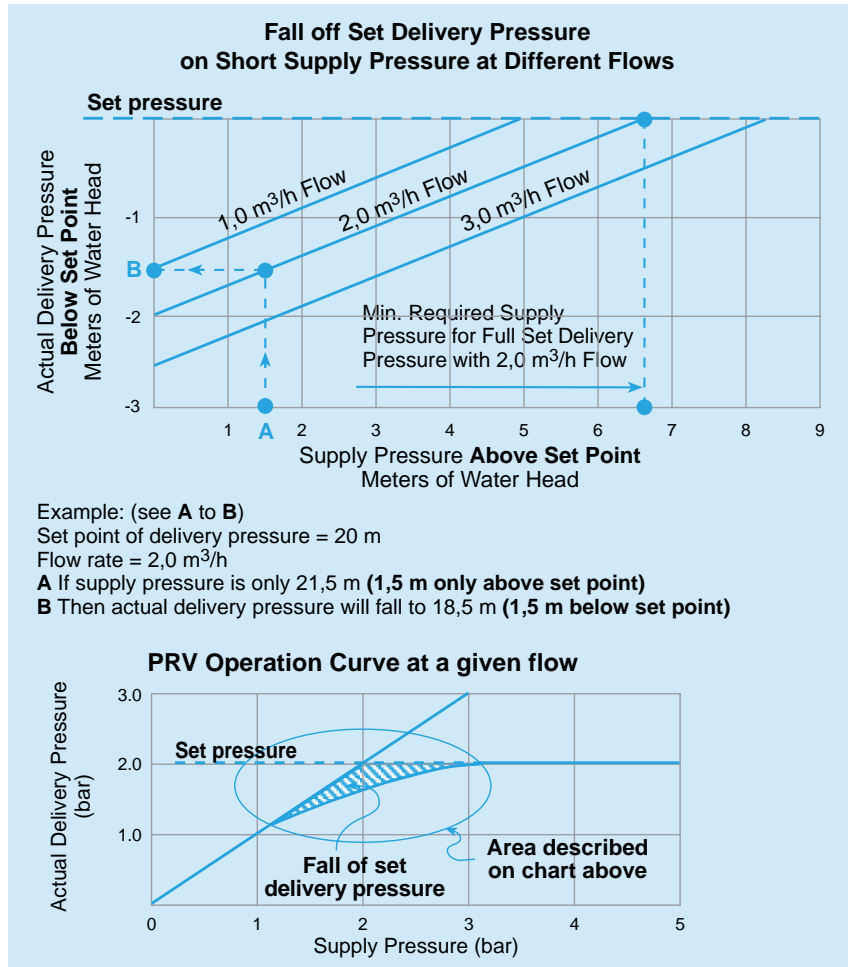
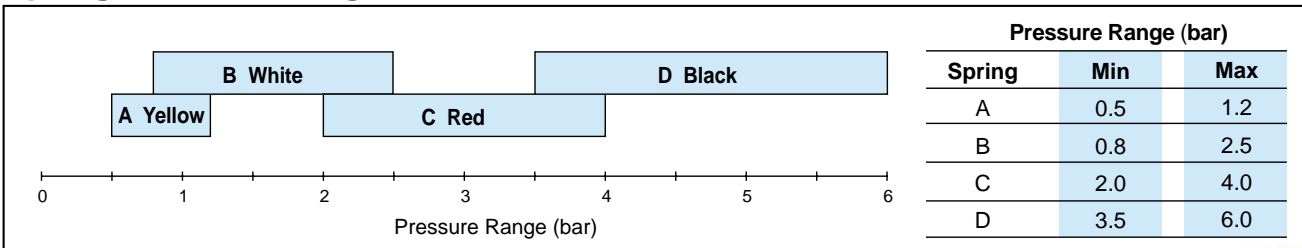
Body: Plastic
Seals: Buna-N and NR
Diaphragm: Nylon-fabric,
Reinforced Buna-N
Spring: Stainless steel

Dimensions and Weight



Size (mm)	3/4"
L	166
H	145
W	100
R	25
Weight (kg)	0.60

Spring Selection Diagram





Model 100-PRV

Specifications

Sizes: 1"

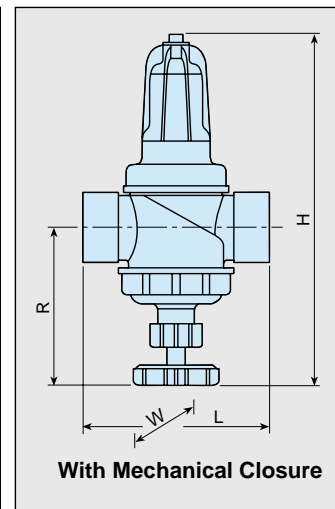
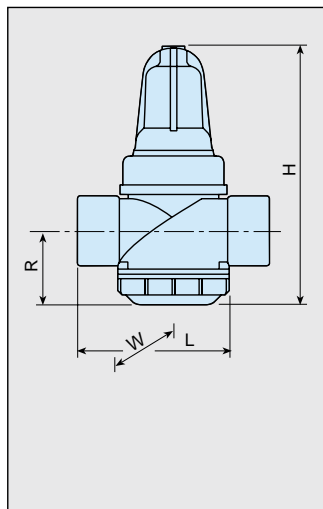
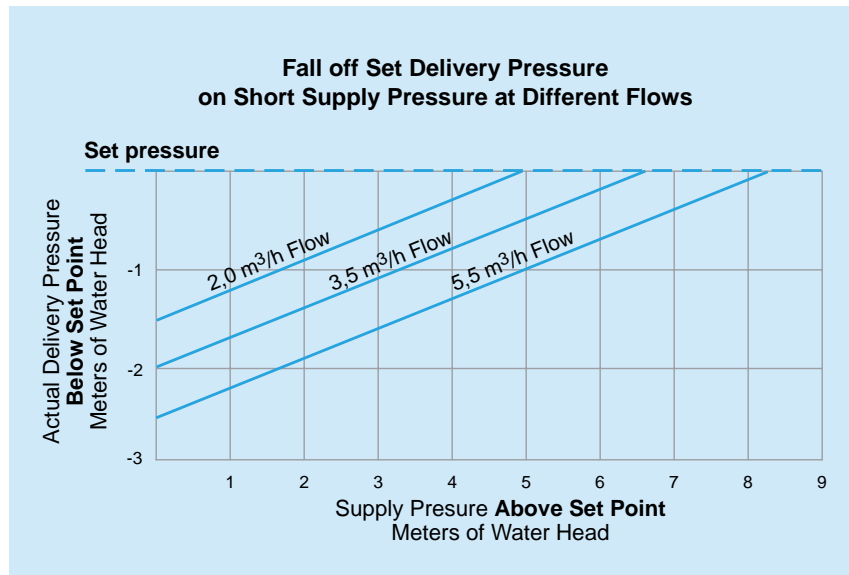
End Connections: BSP, NPT
1" size female-female threading

Flow Capacity Range:
0.45-8.0 m³/h

Pressure Rating:
Minimum working pressure
0.7 bar (10 psi)
maximum working pressure
9 bar (130 psi)

Temperature Range:
Water up to 80°C (180°F)

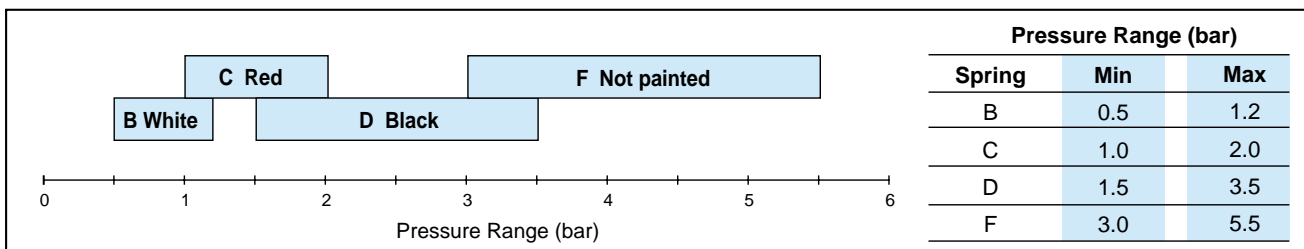
Materials:
Body: Plastic
Seals: Buna-N and NR
Diaphragm: Nylon-fabric,
reinforced Buna-N
Spring and shafts: Stainless steel



Dimensions and Weights

Size (mm)	1"	1"
L	114	114
H	160	200
W	65	65
R	45	95
Weight (kg)	0.55	0.70

Spring Selection Diagram





Model 150-PRV

Specifications

Sizes: 1 1/2"

End Connections: BSP, NPT
Female-female threading

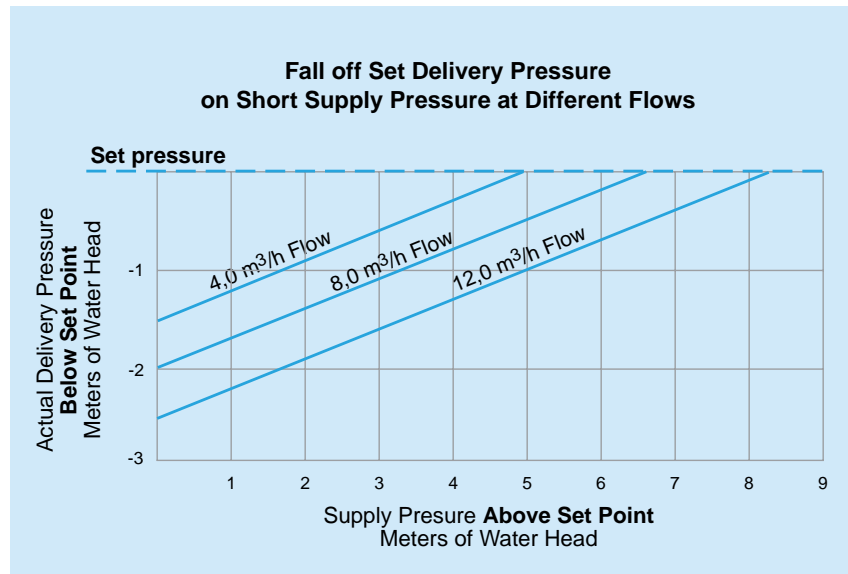
Flow Capacity Range:
0.45-18.2 m³/h

Pressure Rating:
Minimum working pressure
0.7 bar (10 psi)
maximum working pressure
9 bar (130 psi)

Temperature Range:
Water up to 80°C (180°F)

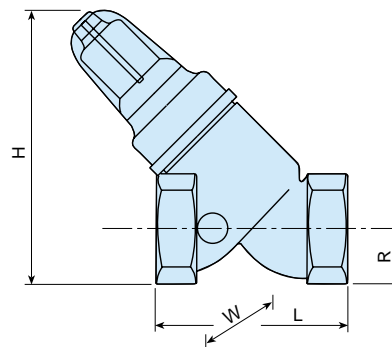
Materials:

Body: Brass
Seals: Buna-N and NR
Diaphragm: Nylon-fabric,
reinforced Buna-N
Spring and shafts: Stainless steel



Standard Feature:
Drip-tight sealing

Dimensions and Weight



Size (mm)	1 1/2"
L	106
H	155
W	65
R	30
Weight (kg)	1.0

Spring Selection Diagram

