



## Model 150-PRV

### Specifications

Sizes: 1 1/2"

End Connections: BSP, NPT  
Female-female threading

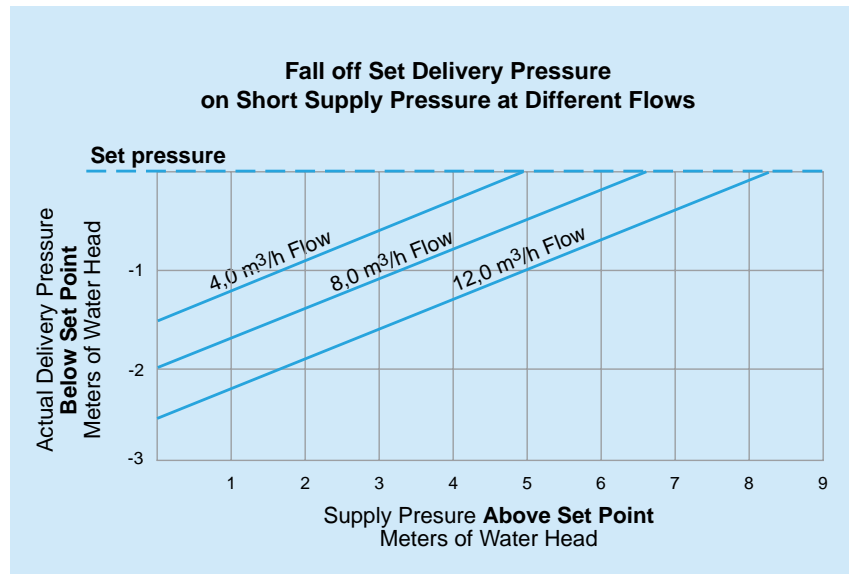
Flow Capacity Range:  
0.45-18.2 m<sup>3</sup>/h

Pressure Rating:  
Minimum working pressure  
0.7 bar (10 psi)  
maximum working pressure  
9 bar (130 psi)

Temperature Range:  
Water up to 80°C (180°F)

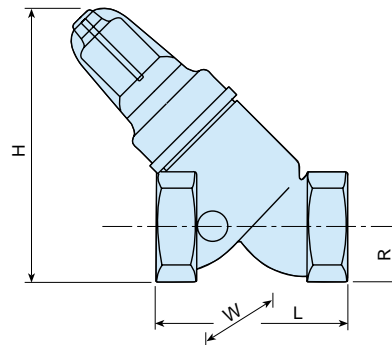
#### Materials:

Body: Brass  
Seals: Buna-N and NR  
Diaphragm: Nylon-fabric,  
reinforced Buna-N  
Spring and shafts: Stainless steel



**Standard Feature:**  
Drip-tight sealing

### Dimensions and Weight



Size (mm)	1 1/2"
L	106
H	155
W	65
R	30
Weight (kg)	1.0

### Spring Selection Diagram

