



Model 100-PRV

Specifications

Sizes: 1"

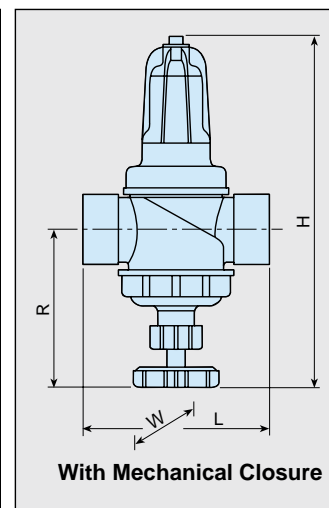
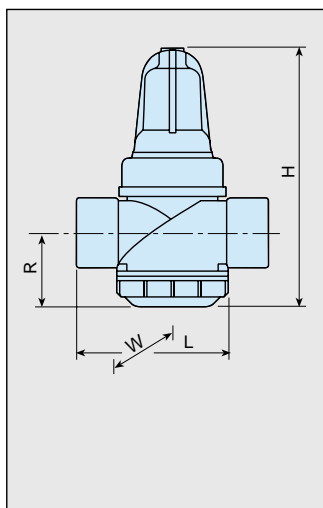
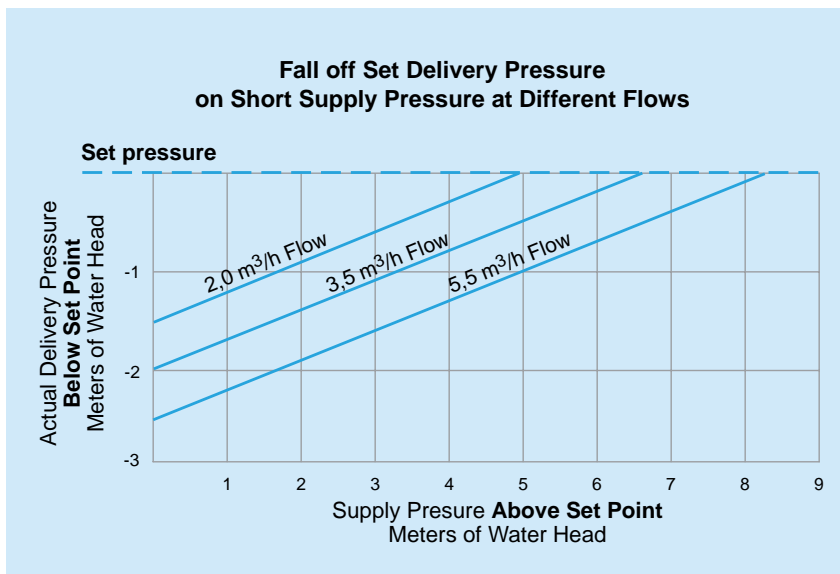
End Connections: BSP, NPT
1" size female-female threading

Flow Capacity Range:
0.45-8.0 m³/h

Pressure Rating:
Minimum working pressure
0.7 bar (10 psi)
maximum working pressure
9 bar (130 psi)

Temperature Range:
Water up to 80°C (180°F)

Materials:
Body: Plastic
Seals: Buna-N and NR
Diaphragm: Nylon-fabric,
reinforced Buna-N
Spring and shafts: Stainless steel



Dimensions and Weights

Size (mm)	1"	1"
L	114	114
H	160	200
W	65	65
R	45	95
Weight (kg)	0.55	0.70

Spring Selection Diagram

