



## GEM-SOL Direct Operated 1/8", 1/4" 2/2 Way NC, NO

### General Description

GEM-SOL 2/2 way NC or NO solenoid valves are recommended for heavy duty applications where high performance is required.

They can be used for industrial and irrigation control and automation systems. These valves are suitable to work with air, water and oil; please consult with us if you need the valves to work with other fluids.



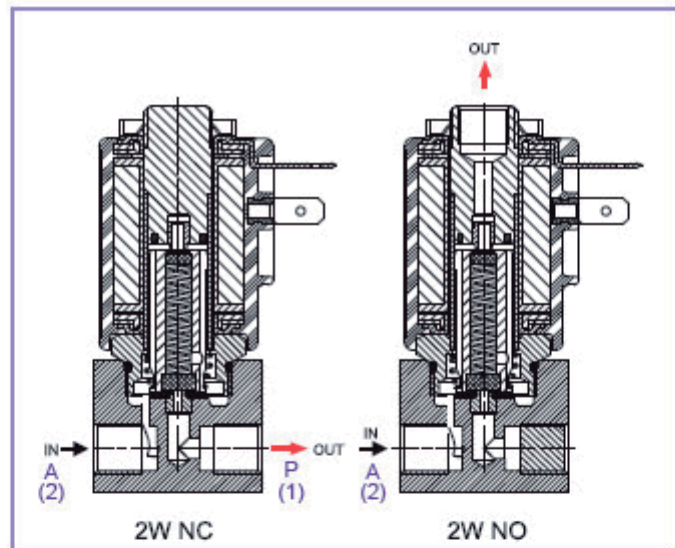
### Notes

- Valves are inspected at general pressures of 12 bar or less (see table). Valves for higher pressures are available.
- Valves for pressure higher than 25 bar are less manual override.
- ADC valves are suitable to work only with AC 8W or DC 10W coils.
- 2W NO with GEM-O-□2a (through base) operators are without manual override.
- Latch valves are available upon request.
- To order valves manufactured to your specific requirements, please contact our technical sales department.

### How to Order

**Example : GEM-A-21015N2-311**

Is a GEM-SOL direct operated Brass, 1/8" BSP, 2W NC, 2.4 orifice, NBR, brass slot manual override, 24V AC 8W 50 Hz with connector.



GEM-A	Body	Port	Function	Orifice	Seals	Manual Override	Voltage	Power	Connector
	Mazak 1	1/8" BSP 10	2W NC 1	0.8 1	NBR N	None 0	W/out coil 0	No coil 0	without 0
	Brass 2	1/4" BSP 20	2W NO 2	1.2 2	VITON V	Plastic 1	6 1	AC 8W 50Hz 1	with 1
	St.st 3	1/8" NPT 11	2W NO 2a	1.6 3	EPDM E	Slot 2	12 2	AC 8W 60Hz 2	with LED 2
		1/4" NPT 21	2W NO through base	2.0 4		Knob 3	24 3	DC 10W 3	with bi color LED 3
				2.4 5			48 4	AC 5.5W 50Hz 4	flying leads 4
				3.0 6			110 5	AC 5.5W 60Hz 5	coil 5
				4.0 7			120 6	AC 2.5W 6	with 1/2" Hub 5
							230 7	DC 5.5W 7	
							240 8	DC 3.5W 8	
							other 9		



Technical Specifications

Function: 2/2 way NC & NO  
 Ports size: 1/8" and 1/4" BSP & NPT  
 Orifice: See table  
 Kv: See table  
 Pressure range: See table  
 Temperature range: Fluid: max 80°C  
 Ambient: -10°C to 50°C  
 Manual Override: Plastic, brass screw or brass finger knob  
 St.st for St.st valves  
 Materials : **Main valve :**  
 Mazak, Brass  
 or Stainless steel 303  
**Solenoid Operator:**  
 Stainless steel 300 & 400 series  
**Seals:**  
 NBR, Viton or EPDM  
 Weight (with coil): 248 gr for Mazak valve  
 Media: Air, water, oil  
 Coil voltage: All Baccara coils voltages ± 10%  
 AC 8W, 5.5W and 2.5W &  
 DC 10W, 5.5 and 3.5W

Protection class IP65 with connector

Max.Pressure (bar) 2W NC Table

Coil Current/Power	Orifice						
	0.8	1.2	1.6	2.0	2.4	3.0	4.0
ADC	60	50	35	20	15	10	5
AC/8W DC/10W	80	80	60	38	30	18	8
AC/5.5W	80	60	40	28	20	15	6
AC/2.5W	60	50	35	20	15	9	5
DC/5.5W	60	30	18	12	9	6	3
DC/3.5W	40	20	12	8	6	4	2
Flow factor Kv(L/min)	0.5	1.1	1.7	2.5	3.5	4.5	5

Max.Pressure (bar) 2W NO Table

Coil Current/Power	Orifice					
	0.8	1.2	1.6	2.0	2.4	3.0
ADC	25	25	25	20	15	10
Flow factor Kv(L/min)	0.5	1.1	1.4	2.5	3.0	3.5

Dimensions

