



## ARAD-O-Valve Remote Control Valves

### Model B

Remote-controlled valves designed for use in applications where simple On/Off operation is required. These valves are available with either hydraulic or electric operation.

#### Features:

- Rugged, heavy duty construction
- Low loss of head
- Suitable for use with inert gasses
- Diaphragm specially designed for smooth and leak-free operation
- Simple design incorporates minimal parts for ease of maintenance
- Specifically designed for use in remote control environments
- Two configurations: NO or NC

#### Applications

- Arad valves are double-chambered valves, designed primarily for agricultural irrigation applications.
- They may also be used with inert gasses.
- Arad valves may be ordered either with electric operation (by means of an integrated solenoid) or hydraulic operation.
- Two configurations: NO or NC. The NC configuration may be ordered with a special spring that enables operation in environments below 1 atmosphere.

#### Available Sizes

1<sup>1</sup>/<sub>2</sub>" - 2"

#### Technical Specifications

<b>Maximum Working Pressure</b>	10 bar
<b>Maximum Working Temperature</b>	80°C for 1-3 bar 60°C for 4-10 bar
<b>Body</b>	Brass
<b>Connection</b>	Female BSP 2"
<b>Electrical output</b>	12, 24 VAC 12, 24 VDC



**ARAD**

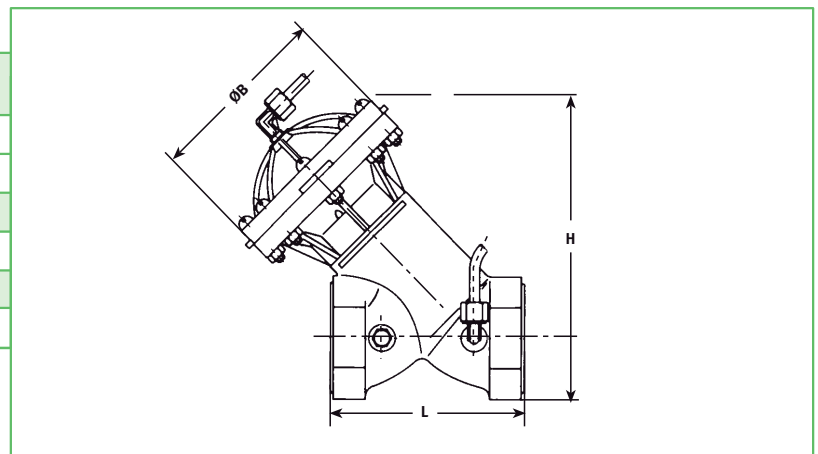
- Irrigation & Agriculture meter
- Hydrometer
- Dose-o-Mat
- Fertilizer
- ▶ **Arad-o-Valve**
- └ B
- └ Accessories

### Performance data:

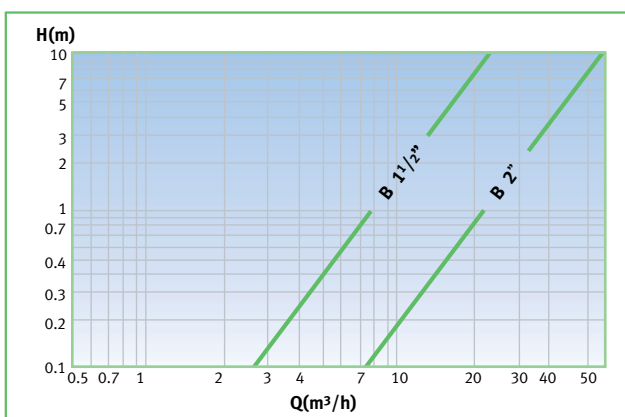
Model B		Type	Operator
Nominal Size			
mm	inch		
40	1½	NC/NO	Hydraulic - 3 way
50	2		Electric -3 way

### Dimensions

Model	B	
Nominal size	(mm)	40    50
	(inch)	1½    2
L – Length (mm)	110	130
H – Height (mm)	170	200
B – Width (mm)	130	130
Weight (kg)	1.65	2



### Head Loss Curve



Auckland NZ  
 PH: (09) 919 7600  
 FAX: (09) 919 7604

Distributed by: **aquaspec**  
 www.aquaspec.co.nz    0800 353 966

Christchurch NZ  
 PH: (03) 968 3230  
 FAX: (03) 968 3231



**ARAD**

www.arad.co.il