



GEM-SOL Pilot Operated 1/4", 3/8", 1/2" 2/2 Way NC, NO

General Description

GEM-SOL Pilot Operated 2/2 way NC, NO solenoid valves are recommended for applications where high flow at high pressure is required.

They can be used in control and automation systems.

The typical applications are:

Industrial furnace, heating equipment, burners, oil and gas, autoclaves, dental equipment, instrumentation, car washers, machine industries and irrigation.



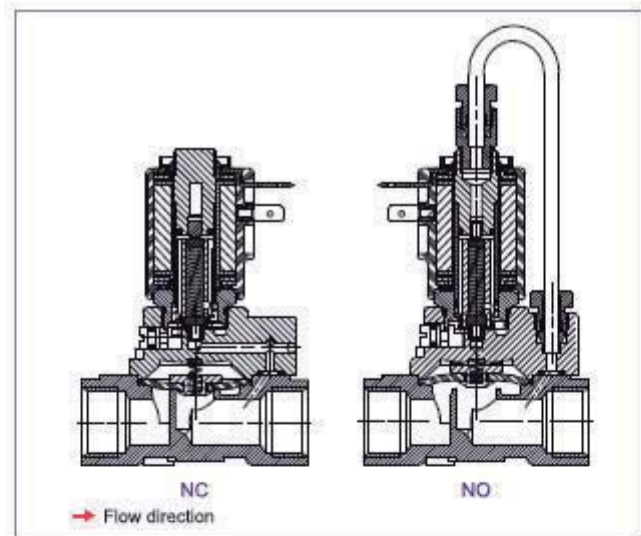
Notes

- The working pressure is 12 bar. Valves for higher pressure up to 20 bar are available.
- A minimum pressure of 0.5 bar is required for operation.
- 2W NO valves without tube are less manual override.
- To order valves manufactured to your specific requirements, please contact our technical sales department.
- Latch valves are available upon request.

How to Order

Example : GEM-S-2202V2-321

Is a GEM-SOL pilot operated, Brass 1/4" BSP, 2W NO, Viton seals, slot manual override, 24V AC 8W 60 Hz with connector.



GEM-S	Body	Port	Function	Seals	Manual Override	Voltage	Power	Connector
	Brass 2	1/4" BSP 20	2W NC 1	NBR N	None 0	Without coil 0	No coil 0	without 0
	St.st 3	3/8" BSP 30	2W NO 2	VITON V	Slot 2	6 1	AC8W 50Hz 1	with 1
		1/2" BSP 40	2W NO 2a	EPDM E	Knob 3	12 2	AC8W 60Hz 2	with LED 2
		1/4" NPT 21	w/o tube*			24 3	DC10W 3	with bi color LED 3
		3/8" NPT 31				48 4		flying leads 4
		1/2" NPT 41				110 5		coil 5
			*option 2a is without manual override			120 6		with 1/2" Hub 5
						230 7		
						240 8		
						other 9		



Technical Specifications

Function: 2/2 Way NC & NO
Ports size: 1/4", 3/8", 1/2" BSP & NPT
Pressure and flow: See table
Temperature range: Fluid: max 80°C
 Ambient: -10°C to 50°C
Manual Override: Brass screw or brass finger knob
Materials in contact with fluid: **Main valve :**
 Brass - hot stamping, upon request dezincd brass (Cz132), St.st.316
Solenoid Operator:
 Stainless steel 300 & 400 series
Seals:
 NBR, Viton, EPDM
Coil voltage: All Baccara coils voltages ± 10%
 AC 8W
 DC 10W
 Protection class IP65 with connector

Pressure and flow table

Size	Orifice (mm)	Pressure	Kv(L/Min)
1/4"	8	0.5 - 20	12
3/8"	8		16
1/2"	12		35

Size	A	B	C	D	E	F	G	H	J	K	Weight with coil
1/4"-3/8"	58	89	22	32	62	1/4"-3/8"BSP/NPT	125	11	M5x0.8	22	466g
1/2"	70	95	27	38	70	1/2"BSP/NPT	135	13.5	M5x0.8	22	562g

Dimensions

