



GEM-SOL Direct Operated 1/8", 1/4" 3/2Way NC, NO

General Description

GEM-SOL 3/2 way NC or NO solenoid valves are recommended for heavy duty applications where high performance is required. They can be used for industrial and irrigation control and automation systems. These valves are suitable to work with air, water and oil; please consult with us if you need the valves to work with other fluids.



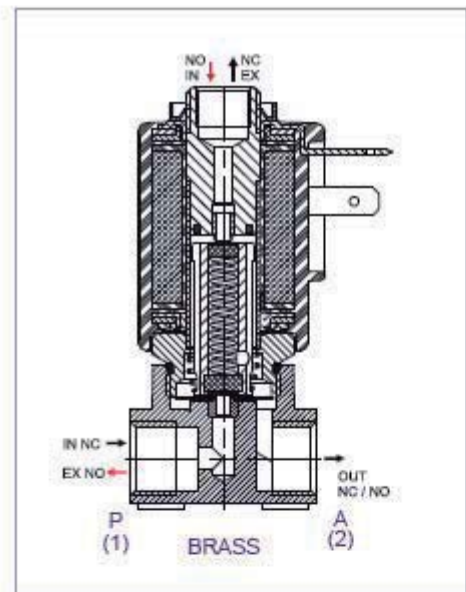
Notes

- Valves are inspected at general pressures of 12 bar or less (see table). Valves for higher pressures are available.
- ADC valves are suitable to work only with AC 8W or DC 10W coils.
- Latch valves are available upon request.
- To order valves manufactured to your specific requirements, please contact our technical sales department.

How to Order

Example : GEM-A-21035N2-311

Is a GEM-SOL direct operated Brass, 1/8"BSP, 3W NC, 2.4 orifice, NBR, brass slot manual override, 24V AC 8W 50 Hz with connector.



GEM-A	Body	Port	Function	Orifice	Seals	Manual Override	Voltage	Power	Connector
	Mazak 1	1/8"BSP 10	3W NC 3	0.8 1	NBR N	None 0	W/out coil 0	No coil 0	without 0
	Brass 2	1/4"BSP 20	3W NO 4	1.2 2	VITON V	Plastic 1	6 1	AC8W 50Hz 1	with 1
	St.st 3	1/8"NPT 11	3W NO 4a	1.6 3	EPDM E	Slot 2	12 2	AC8W 60Hz 2	with LED 2
		1/4"NPT 21	3W NO through base	2.0 4	Kalrez K	Knob 3	24 3	DC10W 3	with bi color LED 3
				2.4 5			48 4	ACS.5W 50Hz 4	flying leads 4
				3.0 6			110 5	ACS.5W 60Hz 5	coil 5
							120 6	AC 2.5W 6	with 1/2" Hub 5
							230 7	DC 5.5W 7	
							240 8	DC 3.5W 8	
							other 9		



Technical Specifications

Function: 3/2 way NC & NO
 Ports size: 1/8" and 1/4" BSP & NPT
 Orifice: See table
 Kv: See table
 Pressure range: See table
 Temperature range: Fluid: max 80°C
 Ambient: -10°C to 50°C
 Manual Override: Plastic, brass screw or brass finger knob
 St.st for St.st valves
 Materials : **Main valve :**
 Mazak, Brass
 or Stainless steel 303
Solenoid Operator:
 Stainless steel 300 & 400 series
Seals:
 NBR, Viton, EPDM or Kalrez
 Weight (with coil): 248 gr for Mazak valve
 Media: Air, water, oil
 Coil voltage: All Baccara coils voltages ± 10%
 AC 8W, 5.5W and 2.5W &
 DC 10W, 5.5 and 3.5W

Protection class IP65 with connector

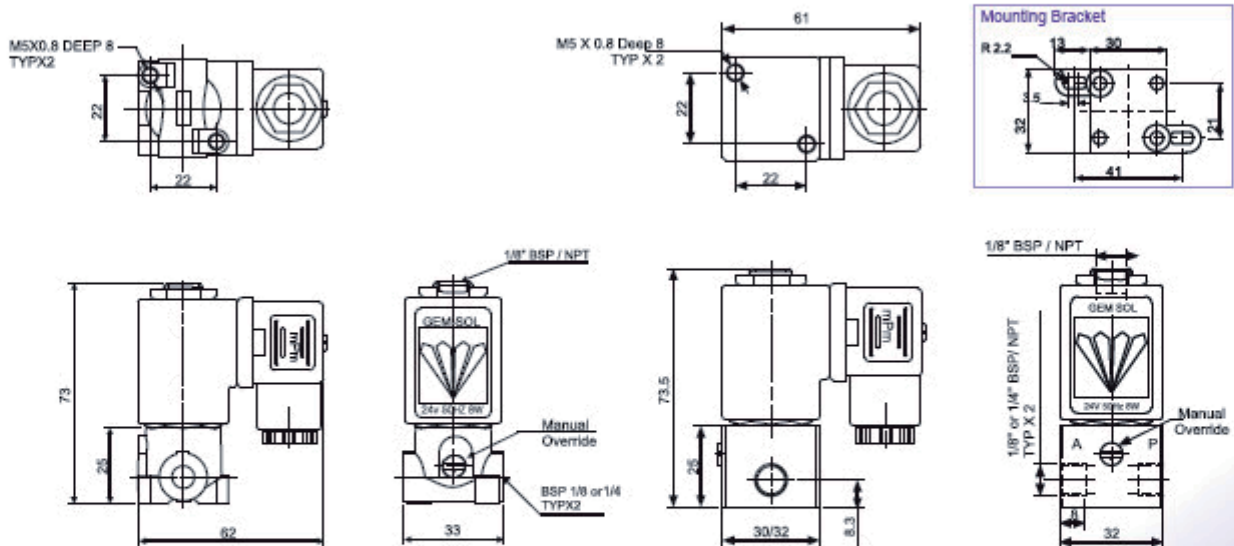
Max.Pressure (bar) 3W NC Table

Coil Current/Power	Orifice					
	0.8	1.2	1.6	2.0	2.4	3.0
ADC	23	20	15	10	8	5.5
AC/8W DC/10W	35	30	17	14	10	6
AC/5.5W	23	20	15	10	8	5.5
AC/2.5W DC/5.5W DC/3.5W	20	16	10	9	5	4
Flow factor Kv(Lmin)	0.6	1.1	1.7	2.5	3.5	4.5

Max.Pressure (bar) 3W NO Table

Coil Current/Power	Orifice					
	0.8	1.2	1.6	2.0	2.4	3.0
ADC	25	20	15	11	8	6
AC/8W DC/10W	30	22	17	12	10	7
AC/5.5W DC/5.5W	25	20	15	11	8	6
AC/2.5W DC/3.5W	20	18	12	8	6	4
Flow factor Kv(Lmin)	0.6	1	1.4	2.2	3.0	3.5

Dimensions



BRASS

MAZAK/St.St.

NOTE: Stainless steel valves are made of □ 32.

Auckland NZ
 PH: (09) 919 7600
 FAX: (09) 919 7604

Distributed by: **aquaspec**
 www.aquaspec.co.nz 0800 353 966

Christchurch NZ
 PH: (03) 968 3230
 FAX: (03) 968 3231